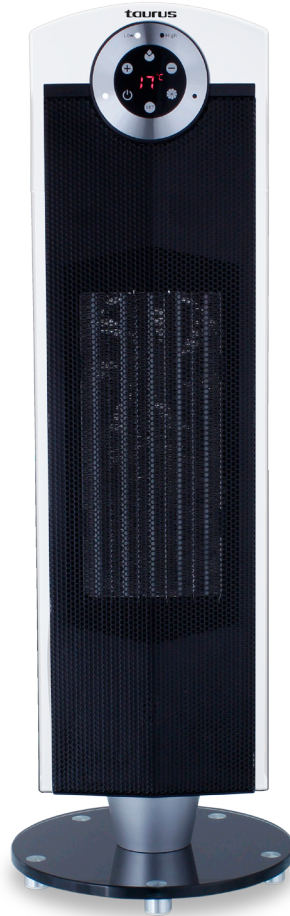




taurus



CALENTADOR

complies with
INTERNATIONAL
IEC60335
SAFETY SPECIFICATIONS

t
2000W

2 YEAR
WARRANTY

Model:
947871

PLEASE READ ALL INSTRUCTIONS BEFORE USE

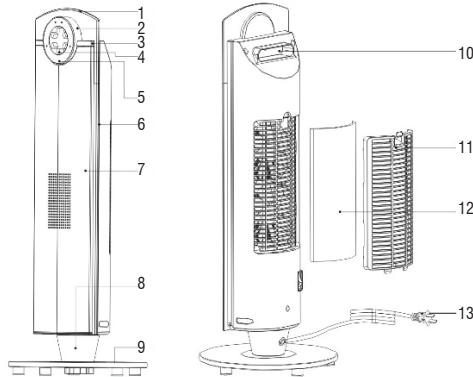
ENGLISH / AFRIKAANS
/ SPANISH / FRENCH /
PORTUGUESE





Dear customer,

Thank you for choosing to purchase a Taurus brand product. Thanks to its technology, design and operation and the fact that it exceeds the strictest quality standards, a fully satisfactory use and long product life can be assured.



1. Parts description

1. Top enclosure window
2. LED-PCB Box
3. Top enclosure strip
4. Transparent display window
5. Display window
6. Side enclosure
7. Grill
8. Stand column
9. Glass Base
10. Handle
11. Back grill
12. Filter
13. Power cord

2. Safety advice and warnings!

Read these instructions carefully before switching on the appliance and keep them for future reference. Failure to follow and observe these instructions could lead to an accident. Clean all the parts of the product that will be in contact with food, as indicated in the cleaning section, before use.

2.1. Use or working environment:

- 2.1.1. Keep the working area clean and well lit. Cluttered and dark areas invite accidents.
- 2.1.2. Use the appliance in a well ventilated area.
- 2.1.3. Do not place the appliance on hot surfaces, such as cooking plates, gas burners, ovens or similar items.
- 2.1.4. Keep children and bystanders away when using this appliance.
- 2.1.5. Place the appliance on a horizontal, flat, stable surface and away from other heat sources and contact with water.
- 2.1.6. Keep the appliance away from flammable material such as textiles, curtains, cardboard or paper, etc.
- 2.1.7. Do not place flammable material near the appliance.
- 2.1.8. Do not use the appliance in association with a programmer, timer or other device that automatically switches it on.
- 2.1.9. Do not use the appliance if the cable or plug is damaged.
- 2.1.10. Ensure that the voltage indicated on the rating label matches the mains power supply voltage before plugging in the appliance.
- 2.1.11. Connect the appliance to the mains power supply with an earth socket withstanding a minimum of 10 amperes.
- 2.1.12. The appliance's plug must fit into the mains power supply socket properly. Do not alter the plug.
- 2.1.13. If using a multi plug check ratings carefully as the current used by several appliances could easily exceed the rating of the multi plug.
- 2.1.14. If any of the appliance casings breaks, immediately disconnect the appliance from the mains power supply to prevent the possibility of an electric shock.
- 2.1.15. Do not use the appliance if it has fallen on the floor or if there are visible signs of damage.
- 2.1.16. Do not force the power cord. Never use the power cord to lift up, carry or unplug the appliance.
- 2.1.17. Do not wrap the power cord around the appliance.
- 2.1.18. Do not clip or crease the power cord.
- 2.1.19. Do not allow the power cord to hang or to come into contact with the hot surfaces of the appliance.
- 2.1.20. Check the state of the power cord. Damaged or tangled cables increase the risk of electric shock.
- 2.1.21. The appliance is not suitable for outdoor use.
- 2.1.22. Power cord should be regularly examined





for signs of damage, and if the cord is damaged, the appliance must not be used.

2.1.23. Do not touch the plug with wet hands.

2.2. Personal safety:

2.2.1. **CAUTION:** Do not leave the appliance unattended during use as there is a risk of an accident.

2.2.2. Do not touch the rotating parts of the appliance, as it may cause serious injury.

2.2.3. This appliance is only for domestic use, not for industrial or professional use. It is not intended to be used by guests in hospitality environments such as bed and breakfast, hotels, motels, and other types of residential environments, even in farm houses, areas of the kitchen staff in shops, offices and other work environments.

2.2.4. This appliance is not intended for use by persons (including children) with reduced physical, sensory or mental capabilities, or lack of experience and knowledge, unless they have been given supervision or instruction concerning use of the appliance by a person responsible for their safety.

2.2.5. **NB: Do not cover the heater to avoid over heating!**

2.2.6. The heater may not be placed directly below a power socket.

2.2.7. **WARNING: This heater is not equipped with a device to control the room temperature. Do not use this heater in small rooms when they are occupied by persons not capable of leaving the room on their own will, unless constant supervision is provided.**

2.2.8. This appliance is not a toy. Children should be supervised to ensure that they do not play with the appliance.

2.3. Use and care:

2.3.1. Fully unroll the appliance's power cable before each use.

2.3.2. Do not use the appliance if the parts or accessories are not properly fitted.

2.3.3. Do not turn the appliance over while it is in use

or connected to the mains power supply.

2.3.4. Unplug the appliance from the mains power supply when not in use and before undertaking any cleaning task.

2.3.5. This appliance should be stored out of reach of children.

2.3.6. Do not store the appliance if it is still hot.

2.3.7. Never leave the appliance unattended when in use and keep out of the reach of children.

2.3.8. If for some reason, the appliance were to catch fire, disconnect the appliance from the mains power supply and **DO NOT USE WATER TO PUT THE FIRE OUT.**

2.4. Service:

2.4.1. Make sure that the appliance is serviced only by suitably qualified technician, and that only original spare parts or accessories are used to replace existing parts/accessories.

2.4.2. If the power cord is damaged, the manufacturer or its service agent or a similarly qualified person must replace it in order to avoid a hazard.

2.4.3. Any misuse or failure to follow the instructions for use renders the guarantee and the manufacturer's liability null and void.

IMPORTANT NOTICES:

1 **DO NOT COVER WARNING:**



In order to avoid overheating, do not cover the heater

2 the heater must not be located immediately below a socket-outlet.

3 Do not use this heater in the immediate surroundings of a bath, a shower or a swimming pool.

4 **WARNING:** This heater is not equipped with a device to control the room temperature. Do not use this heater in small rooms when they are occupied by persons not capable of leaving the room on their own, unless constant supervision is provided.

5 This appliance is not intended for use by persons (including children) with reduced physical, sensory or mental capabilities, or lack of experience and knowledge, unless they have been given supervision or instruction concerning use of the appliance by a person responsible for their safety. Children should be supervised to ensure that they do not play with the appliance.

6 Some parts of this product can become very hot and cause burns. Particular attention has to be given where children and vulnerable people are present.





3. Instructions for use

3.1. Before use:

- 3.1.1. Remove the appliance's protective film (if applicable).
- 3.1.2. Before using the product for the first time, clean in the manner described in the cleaning section.

3.2. Assembly:

1. Open the box and take out all parts of the device. Unscrew the securing nut.
2. Place the base on the bottom side of the device and using the securing nut screw back in.
3. Before use place the device on an even and stable floor.



1. Body of the device 2. Base 3. Securing nut

3.3. Remote control:

1. Insert a battery (not included).
2. There are 6 buttons on the remote control. Their functions are equivalent to the functions of the touch sensors on the control panel of the appliance. If you wish to use the remote control, point the remote control at approximately the level of the control panel with the display. The maximum signal range of the remote control is 6 m. If you place the remote in such a way that the transmission of the signal is blocked by barrier, the signal may not be transmitted at all.

3.4. Use and care:

HEATER OPERATION

First connect the power cord into a power outlet with the correct voltage. Ensure that the device is located on an even and stable surface.

Main switch (on the back side of the device)

To turn on the device move the main switch. A sound will be produced, which means that the device is ready for use.

3.4.1. Under the condition of Standby, it is in vain to press any button except . Press to turn to machine, press it again to turn off the machine. When the unit is on:

- a) PTC: low power, 1200W indicator light on but 2000W light off.
- b) Oscillation: Not oscillation, and the oscillation indicator light off.
- c) Timer: No timer, all timer indicator lights off
- d) Temperature: Led_H_ °C display the real room temperature.

- e) DC fan: on
- f) Temperature setting: auto set 25 °C

3.4.2. When the unit is on, press to switch Low/Hi power.

- a) Low power: PTC1 working, Led_1200W on (PTC2 not heat, Led_2000W off)
- b) High power: PCB1 working, Led_2000W on (Led_1200W off), PCB2 begins to work 20s later

3.4.3. When the unit is on, press to switch on/off the oscillation function.

- a) Oscillation on: swing, Led_swing on.
- b) Oscillation off: stopswing, Led-swing off.

3.4.4. When the unit is on, press SET to set time.

- a) Timer function: Press n/off per 0.5s. Press and to set time from 1h to 12h.
- b) If set the time to 0h, then no time setting.
- c) Press SET once, Led_H_ °C and Led_H are on, and a SET to finish time setting.

3.4.5. Temperature setting: when the setting of the automatic shutoff is completed, press the button SET again. The display will show the standard value. Set the temperature using the touch sensors "+" and "-" in the range 15–35 °C. Each time 25°C and now you can set the temperature you press the buttons "+" or "-" the temperature will increase or decrease by 1°C. At the same time, the set temperature will be displayed on the display. By pressing the touch sensor SET you will confirm your selection. The device will switch to the mode displaying.

3.4.6. The temperature in the room and will automatically maintain the set temperature by turning the heating elements on and off.

3.4.7. **Note:** If you touch the sensor SET, the control light will flash for a time of 5 seconds. If you do not press any button within 5 seconds or you press a button other than SET, "+" or "-", then the LED display will display the temperature in the room. When the temperature in the room is lower than -9°C, the display will show "LO" (low temperature). When the temperature in the room is higher than +39 °C, the display will show "HI" (high temperature). When the temperature is in the range -9–39°C, then the display will show the actual temperature in the room.

3.5. Safety features:

3.5.1. Overheat protection

The overheat function will automatically switch the appliance off when it overheats.





3.5.2. Tip over safety switch

If you tilt the device to the side, you will hear a click. This is due to the in-built safety device, which serves to automatically turn off the device when it is tilted.

If during operation the device is tilted by approx. 40°, the safety function is activated and the device will shut off. If the device falls over then this function serves as protection against dangerous situation.

3.5.3. Double heat fuse

The device is equipped with a resettable heat fuse, which is activated and shuts off the device if it overheats. If such a situation occurs, disconnect the device from the el. power socket. As soon as the device cools down, connect it to the power socket and you may turn it on again.

To increase safety the device is equipped with a non-resettable heat fuse for the situation, where the first heat fuse malfunctions. If the non-resettable heat fuse has been activated, operation cannot be resumed. Have the device repaired at an authorized service centre.

3.6. Once you have finished using the appliance:

3.6.1. Unplug the appliance from the mains power supply.

3.6.2 Clean the appliance as described in the cleaning section.

4. Cleaning

4.1. Disconnect the appliance from the mains power supply and allow it to cool completely before undertaking any cleaning task.

4.2. Clean the outer parts of the appliance with a damp cloth with a few drops of washing-up liquid and then dry. **CAUTION!** Do not immerse electrical parts of the appliance in any liquid.

4.3. Do not use solvents, or products with an acid or base pH such as bleach, or abrasive products, for cleaning the appliance.

4.4. Never submerge the appliance in water or any other liquid or place it under running water.

4.5. The air filter may become clogged with dust and dirt over time. It is important to clean the air filter regularly to ensure maximum operation efficiency. . Remove the grill for the inflow of air from back part of the device. Remove the air filter from the grill.

Wash the filter by hand in a lukewarm solution of water and detergent. Then rinse the filter in clean water and allow it to dry thoroughly. Place the clean,

dry filter back into the back grill and attach it to the device. Do not use the device without the filter and back grill being installed.

5. Anomalies and repair

5.1. Take the appliance to an authorised support centre if product is damaged or other problems arise.

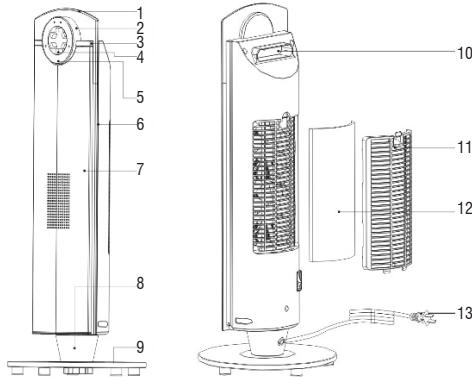
5.2. If the connection to the mains has been damaged, it must be replaced and you should proceed as you would in the case of damage.





Geagte kliënt,

Dankie dat u gekies het om 'n Taurus-handelsmerk-produk te koop. Danksy sy tegnologie, ontwerp en werking en die feit dat dit die strengste kwaliteitsstandaarde oorskry, kan 'n ten volle bevredigende gebruik en lang produklewe verseker word.



1. Onderdele beskrywing

1. Top omhulsel venster
2. LED-PCB Box
3. Top omhulsel strook
4. Deursigtige vertoonvenster
5. Vertoon venster
6. Sykajuit
7. Grill
8. Staankolom
9. Glasbasis
10. Hanteer
11. Bakgril
12. Filter
13. Netsnoer

2. Veiligheidsadvies en waarskuwings!

Lees hierdie instruksies sorgvuldig deur voordat u die toestel aanskakel en hou dit vir toekomstige verwysing. Versuim om hierdie instruksies te volg en op te let kan lei tot 'n ongeluk. Maak al die dele van die produk wat met voedsel in aanraking kom, soos aangedui in die skoonmaakafdeling, voor gebruik.

2.1. Gebruik of werksomgewing:

- 2.1.1. Hou die werkarea skoon en goed belig. Roerige en donker gebiede nooi ongelukke uit.
- 2.1.2. Gebruik die apparaat in 'n goed geventileerde area.
- 2.1.3. Plaas die apparaat nie op warm oppervlaktes soos kookplate, gasbrander, oonde of soortgelyke items nie.
- 2.1.4. Hou kinders en omstanders weg wanneer u hierdie toestel gebruik.
- 2.1.5. Plaas die apparaat op 'n horisontale, plat, stabiele oppervlak en weg van ander hittebronne en kontak met water.
- 2.1.6. Hou die apparaat weg van vlambare materiaal soos tekstiele, gordyne, karton of papier, ens.
- 2.1.7. Moenie vlambare materiaal naby die toestel plaas nie.
- 2.1.8. Moenie die toestel in kombinasie met 'n programmeerder, timer of ander toestel gebruik wat dit outomaties aanskakel nie.
- 2.1.9. Moenie die toestel gebruik as die kabel of stekker beskadig is nie.
- 2.1.10. Maak seker dat die spanning wat op die graderingsetiket aangedui word, ooreenstem met die spanning van die spanning voordat u die toestel aansluit.
- 2.1.11. Sluit die toestel aan op die netspanning met 'n aardkrag wat 'n minimum van 10 behels ampère.
- 2.1.12. Die stekker van die apparaat moet in die netspanning van die stekker gepas wees. Moenie die prop verander nie.
- 2.1.13. As 'n multiplug gebruik word, moet die graderings noukeurig nagegaan word, aangesien die stroom wat deur verskeie toestelle gebruik word, maklik oorskry kan word.
- 2.1.14. As enige van die toebehore breek, skakel die toestel onmiddellik uit die stroomtoevoer om die moontlikheid van 'n elektriese skok te voorkom.
- 2.1.15. Moenie die toestel gebruik as dit op die vloer geval het of as daar sigbare tekens van skade is nie.
- 2.1.16. Moenie die netsnoer dwing nie. Moet nooit die kragtoevoer gebruik om die toestel op te hef of te dra nie.
- 2.1.17. Moet nie die netsnoer om die toestel draai nie.
- 2.1.18. Moenie die kragtoevoer sny of vou nie.
- 2.1.19. Moenie toelaat dat die kragtoevoer hang of met die warm oppervlaktes van die toestel in aanraking kom nie.
- 2.1.20. Kontroleer die toestand van die netsnoer.





Beskadigde of verstrengelde kables verhoog die risiko van elektriese skok.

2.1.21. Die toestel is nie geskik vir buite gebruik nie.

2.1.22. Die kragtoevoer moet gereeld ondersoek word vir tekens van skade, en as die tou beskadig is, moet die toestel nie gebruik word nie.

2.1.23. Moenie die prop met nat hande aanraak nie.

2.2. Persoonlike veiligheid:

2.2.1. WAARSKUWING: Moenie die toestel sonder toesig tydens gebruik nie verlaat as daar 'n risiko van 'n ongeluk.

2.2.2. Moenie aan die draaiende dele van die toestel raak nie, aangesien dit ernstige besering kan veroorsaak.

2.2.3. Hierdie toestel is slegs vir huishoudelike gebruik, nie vir industriële of professionele gebruik nie. Dit is nie bedoel om gaste in gasvryheidsomgewings soos bed en ontbyt, hotelle, motels en ander tipes woongeboue te gebruik nie, selfs in plaashuise, areas van kombuispersoneel in winkels, kantore en ander werksomgewings.

2.2.4. Hierdie toestel is nie bedoel vir gebruik deur persone (insluitend kinders) met verminderde fisiese, sensoriese of geestelike vermoëns, of gebrek aan ondervinding en kennis, tensy hulle toesig of instruksies aangaande die gebruik van die toestel deur 'n persoon wat vir hul veiligheid verantwoordelik is, gegee is.

2.2.5. NB: Moenie die verwarmer bedek om te voorkom dat dit oorverhit word nie!

2.2.6. Die verwarmer mag nie direk onder 'n krag aansluiting geplaas word nie.

2.2.7. WAARSKUWING: Hierdie verwarmer is nie toegerus met 'n toestel om die kamertemperatuur te beheer nie. Moenie hierdie verwarmer in klein kamers gebruik as hulle beset word deur persone wat nie die kamer op hul eie wil kan verlaat nie, tensy voortdurende toesig verskaf word.

2.2.8. Hierdie toestel is nie 'n speelding nie. Kinders moet toesig gehou word om te verseker dat hulle nie met die toestel speel nie.

2.3. Gebruik en sorg:

2.3.1. Voltooi die toestel se kragkabel voorheen uit elke gebruik.

2.3.2. Moenie die toestel gebruik as die dele of toebehore nie behoorlik toegerus is nie.

2.3.3. Moenie die toestel oorskakel terwyl dit gebruik

word nie

of verbonde aan die hoofleiding kragtoevoer.

2.3.4. Skakel die toestel uit die kragtoevoer wanneer dit nie gebruik word nie en voordat u enige skoonmaakwerk onderneem.

2.3.5. Hierdie toestel moet buite bereik gebêre word van kinders.

2.3.6. Moenie die toestel stoor as dit nog warm is nie.

2.3.7. Moet nooit die toestel onbewaak wanneer dit inkom nie gebruik en hou buite bereik van kinders.

2.3.8. As die toestel vir een of ander rede brand, moet die toestel van die kragtoevoer verwyder word en **GEEN WATER GEBRUIK OM DIE VUUR UIT TE STIK NIE**.

2.4. diens:

2.4.1. Maak seker dat die toestel slegs deur 'n toepaslike gekwalifiseerde tegnikus bedien word, en dat slegs oorspronklike onderdele of toebehore gebruik word om bestaande dele / toebehore te vervang.

2.4.2. As die kragtoevoer beskadig is, moet die vervaardiger of sy diensagent of 'n soortgelyke gekwalifiseerde persoon

vervang dit om 'n gevaar te vermy.

2.4.3. Enige misbruik of versuim om die gebruiksaanwysings te volg, maak die waarborg en die aanspreeklikheid van die vervaardiger ongeldig.

BELANGRIKE KENNISGEWINGS:

1 MOENIE WAARSKUWING DEK NIE:



Om oorverhitting te vermy, moenie die verwarmer bedek nie

2 die verwarmer mag nie dadelik onder 'n sok wees nie.

3 Moenie hierdie verwarmer in die onmiddellike omgewing van 'n bad, stort of swembad gebruik nie.

4 WAARSKUWING: Hierdie verwarmer is nie toegerus met 'n toestel om die kamertemperatuur te beheer nie. Moenie hierdie verwarmer in klein kamers gebruik as hulle beset word deur persone wat nie die kamer op hul eie kan verlaat nie, tensy konstante toesig verskaf word.





5 Hierdie toestel is nie bedoel vir gebruik deur persone (insluitende kinders) met verminderde fisiese, sensoriese of geestelike vermoëns of gebrek aan ondervinding en kennis nie, tensy hulle toesig of instruksies aangaande die gebruik van die toestel deur 'n persoon wat verantwoordelik is vir hul veiligheid. Kinders moet toesig gehou word om te verseker dat hulle nie met die toestel speel nie.

6 Sommige dele van hierdie produk kan baie warm word en brandwonde veroorsaak. Spesifieke aandag moet gegee word waar kinders en kwesbare mense teenwoordig is.

3. Instruksies vir gebruik

3.1. Voor gebruik:

- 3.1.1. Verwyder beskermende film die toestel se (indien van toepassing).
- 3.1.2. Voordat u die produk vir die eerste keer gebruik, moet u op die manier wat in die skoonmaakafdeling beskryf word, skoon maak.

3.2. Vergadering:

- 1. Maak die boks oop en neem al die dele van die toestel uit. Skroef die borgmoer los.
- 2. Plaas die basis aan die onderkant van die toestel en gebruik die skroefmoer weer in.
- 3. Voordat gebruik, plaas die toestel op 'n gelyke en stabiele vloer.



1. Body of the device 2. Base 3. Securing nut

3.3. Afstandbeheer:

Plaas 'n battery (nie ingesluit nie). Daar is 6 knoppies op die afstandbediening. Hul funksies lare gelykstaande aan die funksies van die touch sensors op die beheer paneel van die toestel. As jy die afstandbediening wil gebruik, wys die afstandbediening op ongeveer die vlak van die bedieningspaneel met die vertoning. Die maksimum seinreeks van die afstandbediening is 6 m. As jy die afstandbediening op so 'n wyse plaas dat die sein

se sein deur die versperring geblokkeer word, mag die sein glad nie oorgedra word nie.

3.4. Gebruik en versorging:

VERWARMINGSWERK

Sluit die kragtoevoer eers aan op 'n stopcontact met die korrekte spanning. Maak seker dat die toestel op 'n ewe en stabiele oppervlak geleë is.

Hoofskakelaar (aan die agterkant van die toestel)
Om die toestel aan te skakel, skuif die hoofskakelaar. 'N Klank sal geproduseer word, wat beteken dat die toestel gereed is vir gebruik.

3.4.1. Onder die voorwaarde van Standby, dit is tevergeefs om enige knoppie druk behalwe. Druk om te draai na die masjien, druk dit weer om die masjien uit te skakel. Wanneer die eenheid aan is:

- a) PTC: lae krag, 1200W aanwyser aan, maar 2000W lig uit.
- b) Ossillasie: Nie ossillasie nie, en die ossillasie-aanwyser lig uit.
- c) Timer: Geen timer, alle timer-aanwyser lig uit
- d) Temperatuur: Led_H_°C die werklike kamer temperatuur vertoon.

- e) DC fan: aan
- f) Temperatuur instelling: Outomatiese stel 25°C

3.4.2. Wanneer die eenheid aan is, druk om Lae / Hi krag te skakel.

- a) Lae krag: PTC1 werk, Led_1200W op (PTC2 nie hitte, Led_2000W af)
- b) Hoë krag: PCB1 werk, Led_2000W aan (Led_1200W af). PCB2 begin 20s later

3.4.3. As die eenheid aan is, druk om die ossillasie funksie aan / uit te skakel.

- a) Ossillasie op: swaai, Led_swing op.
- b) ossillasie af: stopswing, Led-swaai af.

3.4.4. Wanneer die eenheid aan is, druk SET om tyd in te stel.

- a) Timer funksie: Druk n / af per 0.5s. Press en stel tyd van 1u tot 12u.
- b) As die tyd tot 0h gestel word, dan is geen tydinstelling nie.
- c) Druk SET keer, Led_H_°C en Led_H is op, en o SET tot tyd instelling te voltooi.

3.4.5. Temperatuur instelling: wanneer die instelling van die outomatiese uitsluiting voltooi is, druk weer op die knoppie SET. Die vertoning sal die standaardwaarde wys. Kyk die temperatuur met die aanraak





sensors "+" en "-" in die reeks 15-35 ° C. Elke keer 25 ° C en nou kan jy die temperatuur stel wat jy op die knoppies "+" of "-" druk, sal die temperatuur met 1 ° C toeneem of afneem. Terselfdertyd sal die ingestelde temperatuur op die skerm vertoon word. Deur die aanraaksensor SET te druk, sal jy jou keuse bevestig. Die toestel sal oorsakel na die modus vertoon.

3.4.6. Die temperatuur in die kamer en sal outomaties die ingestelde temperatuur behou deur die verwarming elemente aan en af te skakel.

3.4.7. Let wel: As jy die sensor SET raak, sal die beheer ligte flits vir 'n tyd van 5 sekondes. As jy nie binne 5 sekondes enige knoppie druk nie, of jy druk 'n ander knoppie as SET, "+" of "-", dan sal die LED vertoon die temperatuur in die kamer vertoon. As die temperatuur in die kamer laer is as -9 ° C, sal die vertoning "LU" (lae temperatuur) vertoon. As die temperatuur in die kamer hoër is as +39 ° C, sal die vertoning "HI" (hoë temperatuur) vertoon. Wanneer die temperatuur in die reeks -9-39 ° C is, sal die vertoning die werklike temperatuur in die kamer wys.

3.5. Veiligheidseienskappe:

3.5.1. Oorverhitting beskerming

Die oorverhit funksie sal outomaties die toestel afskakel wanneer dit oorverhit.

3.5.2. Wenk oor veiligheidskakelaar

As jy die toestel na die kant kantel, sal jy 'n klik hoor. Dit is as gevolg van die ingeboude veiligheidsstoel, wat dien om die toestel outomaties af te skakel wanneer dit gekantel word.

As die toestel tydens die operasie gekantel word met ongeveer 40°, die veiligheidsfunksie word geaktiveer en die toestel sal afgeskakel word.

As die toestel oorval, dien hierdie funksie as beskerming teen gevaarlike situasies.

3.5.3. Dubbele hitte sekuriteit

Die toestel is toegerus met 'n herstelbare hitte-siklus wat geaktiveer word en die toestel uitskakel as dit oorverhit word. As so 'n situasie voorkom, skakel die toestel van die el af. kragprop. Sodra die toestel afkoel, koppel dit aan die stekker en jy kan dit weer aanskakel.

Om die veiligheid te verhoog, is die toestel toegerus met 'n nie-herstelbare hitte-sekuriteit vir die situasie waar die eerste hitte-siklus wanfunksioneer. As die nie-herstelbare hitte-siklus geaktiveer is, kan die operasie nie hervat word nie. Het die toestel herstel by 'n gemagtigde diens sentrum.

3.6. Sodra jy die toestel klaar gebruik het:

3.6.1. Skakel die toestel uit die kragtoevoer.

3.6.2 Maak die apparaat skoon soos beskryf in die skoonmaakafdeling.

4. Skoonmaak

4.1. Skakel die apparaat uit die kragtoevoer en laat dit heeltemal afkoel voordat u enige skoonmaakwerk onderneem.

4.2. Maak die buitekant van die apparaat skoon met 'n klam lap met 'n paar druppels opwasmiddel en droog dan. **VERSIGTIG!** Moet nie elektriese dele van die apparaat in enige vloeistof dompel nie.

4.3. Moet nie oplosmiddels, of produkte met 'n suur of basis pH soos bleikmiddel of skuurprodukte gebruik vir die skoonmaak van die apparaat nie.

4.4. Moet nooit die apparaat in water of enige ander vloeistof onderdompel of onder vloeibare water plaas nie.

4.5. Die lugfilter kan met verloop van tyd verstopt word met stof en vuil. Dit is belangrik om die lugfilter gereeld skoon te maak om maksimum werking doeltreffend te verseker. Verwyder die rooster vir die invloei van lug vanaf die agterkant van die toestel. Verwyder die lugfilter van die rooster. Was die filter met die hand in 'n loutwarm oplossing van water en skoonmaakmiddels. Spoel dan die filter skoon in skoon water en laat dit deeglik droog word. Plaas die skoon, droë filter terug in die agtergril en sit dit op die toestel. Moenie die toestel gebruik sonder dat die filter en die agtergrill geïnstalleer word nie.

5. Anomalieë en herstel

5.1. Neem die toestel aan 'n gemagtigde ondersteuning sentrum as produk beskadig of ander probleme.

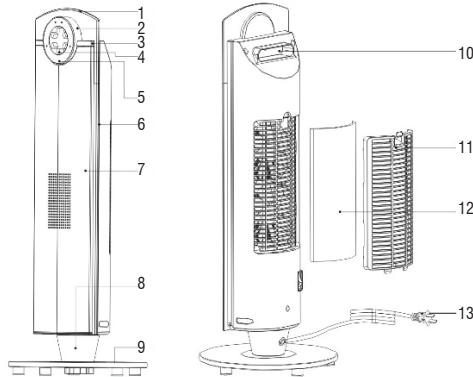
5.2. As die aansluiting op die hoofstroom beskadig is, moet dit vervang word en moet u voortgaan soos u sou in die geval van skade.





Estimado cliente,

Gracias por elegir comprar un producto de la marca Taurus. Gracias a su tecnología, diseño y operación, y al hecho de que excede los más estrictos estándares de calidad, se puede garantizar un uso totalmente satisfactorio y una larga vida útil del producto.



1. descripción de las piezas

1. Ventana superior del gabinete
2. Caja LED-PCB
3. tira superior del recinto
4. Ventana de visualización transparente
5. Ventana de visualización
6. Recinto lateral
7. Parrilla
8. Columna del soporte
9. Base de vidrio
10. Manija
11. Parrilla trasera
12. Filtro
13. Cable de alimentación

2. Consejos de seguridad y advertencias!

Lea atentamente estas instrucciones antes de encender el aparato y consérvelas para futuras consultas. El incumplimiento de estas instrucciones puede provocar un accidente. Limpie todas las partes del producto que estarán en contacto con los alimentos, como se indica en la sección de limpieza, antes de su uso.

2.1. Uso o ambiente de trabajo:

- 2.1.1. Mantenga el área de trabajo limpia y bien iluminada. Las áreas desordenadas y oscuras invitan a accidentes.
- 2.1.2. Use el aparato en un área bien ventilada.
- 2.1.3. No coloque el aparato sobre superficies calientes, como placas de cocción, quemadores de gas, hornos u objetos similares.
- 2.1.4. Mantenga a los niños y las personas alejadas cuando use este electrodoméstico.
- 2.1.5. Coloque el aparato en una superficie horizontal, plana y estable, lejos de otras fuentes de calor y en contacto con el agua.
- 2.1.6. Mantenga el dispositivo alejado de materiales inflamables como textiles, cortinas, cartón o papel, etc.
- 2.1.7. No coloque material inflamable cerca del aparato.
- 2.1.8. No use el dispositivo en asociación con un programador, temporizador u otro dispositivo que lo encienda automáticamente.
- 2.1.9. No use el aparato si el cable o el enchufe están dañados.
- 2.1.10. Asegúrese de que la tensión indicada en la etiqueta de clasificación coincida con la tensión de la fuente de alimentación antes de enchufar el aparato.
- 2.2.11. Conecte el aparato a la fuente de alimentación con una toma de tierra que soporte un mínimo de 10 amperios.
- 2.1.12. El enchufe del aparato debe encajar correctamente en el enchufe de la fuente de alimentación. No alteres el enchufe.
- 2.1.13. Si usa una clavija múltiple, compruebe las clasificaciones con cuidado ya que la corriente utilizada por varios dispositivos podría exceder fácilmente la clasificación de la clavija múltiple.
- 2.1.14. Si alguna de las cubiertas del aparato se rompe, inmediatamente desconecte el aparato de la fuente de alimentación para evitar la posibilidad de una descarga eléctrica.
- 2.1.15. No use el aparato si se ha caído al suelo o si hay signos visibles de daños.
- 2.1.16. No fuerce el cable de alimentación. Nunca use el cable de alimentación para levantar, transportar o desenchufar el aparato.
- 2.1.17. No enrolle el cable de alimentación alrededor del aparato.
- 2.1.18. No recorte ni doble el cable de alimentación.
- 2.1.19. No permita que el cable de alimentación se cuelgue o entre en contacto con las superficies





calientes del aparato.

2.1.20. Verifique el estado del cable de alimentación. Los cables dañados o enredados aumentan el riesgo de descarga eléctrica.

2.1.21. El aparato no es adecuado para uso en exteriores.

2.1.22. El cable de alimentación se debe examinar con regularidad para detectar signos de daños y, si el cable está dañado, no se debe utilizar.

2.1.23. No toque el enchufe con las manos mojadas.

2.2. Seguridad personal:

2.2.1. PRECAUCIÓN: No deje el aparato sin vigilancia durante el uso ya que hay un riesgo de un accidente.

2.2.2. No toque las partes giratorias del aparato, ya que puede causar lesiones graves.

2.2.3. Este aparato es solo para uso doméstico, no para uso industrial o profesional. No está destinado a ser utilizado por huéspedes en entornos de hospitalidad como alojamiento y desayuno, hoteles, moteles y otros tipos de entornos residenciales, incluso en casas de campo, áreas de personal de cocina en tiendas, oficinas y otros entornos de trabajo.

2.2.4. Este aparato no debe ser utilizado por personas (incluidos niños) con capacidades físicas, sensoriales o mentales reducidas, o por falta de experiencia y conocimiento, a menos que una persona responsable de su seguridad les haya dado supervisión o instrucciones sobre el uso del aparato.

2.2.5. NB: ¡No cubra el calentador para evitar el calentamiento excesivo!

2.2.6. El calentador no debe colocarse directamente debajo de una toma de corriente.

2.2.7. ADVERTENCIA: este calentador no está equipado con un dispositivo para controlar la temperatura ambiente. No utilice este calentador en habitaciones pequeñas cuando estén ocupadas por personas que no puedan salir de la habitación por su propia voluntad, a menos que se proporcione una supervisión constante.

2.2.8. Este electrodoméstico no es un juguete. Los niños deben ser supervisados para asegurarse de que no jueguen con el aparato.

2.3. Uso y cuidado:

2.3.1. Desenrolle completamente el cable de alimentación del dispositivo antes de cada uso.

2.3.2. No use el aparato si las piezas o los accesorios no están colocados correctamente.

2.3.3. No encienda el aparato mientras está en uso o conectado a la red de alimentación.

2.3.4. Desenchufe el aparato de la fuente de alimentación cuando no esté en uso y antes de realizar cualquier tarea de limpieza.

2.3.5. Este electrodoméstico debe almacenarse fuera del alcance de los niños.

2.3.6. No guarde el aparato si aún está caliente.

2.3.7. Nunca deje el aparato desatendido cuando esté dentro

usar y mantener fuera del alcance de los niños.

2.3.8. Si por alguna razón, el aparato se incendiara, desconecte el aparato de la fuente de alimentación y NO USE AGUA PARA PONER EL FUEGO FUERA.

2.4. Servicio:

2.4.1. Asegúrese de que el servicio sea revisado solo por un técnico calificado y que solo se utilicen repuestos o accesorios originales para reemplazar las piezas / accesorios existentes.

2.4.2. Si el cable de alimentación está dañado, el fabricante o su agente de servicio o una persona igualmente calificada debe reemplazarlo con el fin de evitar un peligro.

2.4.3. Cualquier uso incorrecto o incumplimiento de las instrucciones de uso anula la garantía y la responsabilidad del fabricante.

NOTICIAS IMPORTANTES:

1 NO CUBRA LA ADVERTENCIA:



Para evitar el sobrecalentamiento, no cubra el calentador

2 el calentador no debe ubicarse inmediatamente debajo de una toma de corriente.

3 No use este calentador en el entorno inmediato de un baño, una ducha o una piscina.

4 ADVERTENCIA: este calentador no está equipado con un dispositivo para controlar la temperatura ambiente. No utilice este calentador en habitaciones pequeñas cuando estén ocupadas por personas que no puedan salir de la habitación por su cuenta, a menos que se proporcione supervisión constante.





5 Este electrodoméstico no debe ser utilizado por personas (incluidos niños) con capacidades físicas, sensoriales o mentales reducidas, o por falta de experiencia y conocimiento, a menos que se les haya supervisado o instruido sobre el uso del artefacto por una persona responsable de su seguridad. Los niños deben ser supervisados para asegurarse de que no jueguen con el aparato.

6 Algunas partes de este producto pueden calentarse mucho y causar quemaduras. Se debe prestar especial atención a la presencia de niños y personas vulnerables.

3. Instrucciones de uso

3.1. Antes de usar:

3.1.1. Retire la película protectora del aparato (si es aplicable).

3.1.2. Antes de usar el producto por primera vez, limpie de la manera descrita en la sección de limpieza.

3.2. Asambla:

1. Abra la caja y saque todas las partes del dispositivo. Desenrosque la tuerca de seguridad.
2. Coloque la base en el lado inferior del dispositivo y vuelva a utilizar la tuerca de seguridad.
3. Antes del uso, coloque el dispositivo en un piso estable y estable.



1. Body of the device 2. Base 3. Securing nut

3.3. Control remoto:

Inserta una batería (no incluida).

Hay 6 botones en el control remoto. Sus funciones iare equivalente a las funciones de los sensores de contacto en el panel de control del aparato. Si desea usar el control remoto, apunte el control remoto aproximadamente al nivel del panel de control con la pantalla. El rango máximo de señal del control remoto es de 6 m. Si coloca el control remoto de tal

manera que la barrera bloquee la transmisión de la señal, es posible que la señal no se transmita.

3.4. Uso y cuidado:

FUNCIONAMIENTO DEL CALENTADOR

Primero conecte el cable de alimentación a una toma de corriente con el voltaje correcto. Asegúrese de que el dispositivo esté ubicado en una superficie plana y estable.

Interruptor principal (en la parte posterior del dispositivo)

Para encender el dispositivo, mueva el interruptor principal. Se producirá un sonido, lo que significa que el dispositivo está listo para su uso.

3.4.1. Bajo la condición de espera, es en vano que presione cualquier botón excepto. Presione para girar a la máquina, presiónelo nuevamente para apagar la máquina. Cuando la unidad está encendida:

- a) PTC: baja potencia, luz indicadora de 1200W encendida pero luz apagada de 2000W.
- b) Oscilación: no oscilación, y el indicador de oscilación se apaga.
- c) Temporizador: Sin temporizador, todo el indicador del temporizador se apaga
- d) Temperatura: Led_H_ °C mostrar la verdadera habitación tem- peratura.
- e) Ventilador DC: encendido
- f) Ajuste de temperatura: ajuste automático a 25 °C

3.4.2. Cuando la unidad está encendida, presione para cambiar la potencia de Low / Hi.

- a) la energía baja: PTC1 de trabajo, en Led_1200W (PTC2 no el calor, Led_2000W apagado)
- b) Alta potencia: PCB1 funcionando, Led_2000W encendido (Led_1200W apagado). PCB2 comienza a funcionar 20 años después

3.4.3. Cuando la unidad está encendida, presione para encender / apagar la función de oscilación.

- a) La oscilación en: columpio, en Led_swing.
- b) la oscilación fuera: stopswing, Led-oscilar fuera.

3.4.4. Cuando la unidad está encendida, presione SET para establecer la hora.

- a) Función del temporizador: presione n / off por 0.5s.Pulse y para configurar el tiempo de 1h a 12h.
- b) Si establece el tiempo en 0 h, entonces no hay ajuste de tiempo.
- c) Pulse SET una vez, y Led_H_ °C Led_H están encendidos, y o SET para finalizar la configuración





de tiempo.

3.4.5. Ajuste de temperatura: cuando se completa el ajuste del apagado automático, presione el botón SET nuevamente. La pantalla mostrará el valor estándar. Se la temperatura usando los sensores táctiles "+" y "-" en el rango de 15-35 ° C. Cada vez que se alcanzan los 25 ° C y ahora puede ajustar la temperatura, presione los botones "+" o "-" para aumentar o disminuir la temperatura en 1 ° C. Al mismo tiempo, la temperatura configurada se mostrará en la pantalla. Al presionar el sensor táctil SET, confirmará su selección. El dispositivo cambiará al modo de visualización.

3.4.6. La temperatura en la habitación y mantendrá automáticamente la temperatura establecida al encender y apagar los elementos de calefacción.

3.4.7. Nota: Si toca el juego de sensores, la luz de control parpadea durante un tiempo de 5 segundos. Si no presiona ningún botón dentro de 5 segundos o si presiona un botón que no sea SET, "+" o "-", entonces la pantalla LED mostrará la temperatura en la habitación. Cuando la temperatura en la habitación es inferior a -9 ° C, la pantalla mostrará "LO" (baja temperatura). Cuando la temperatura en la habitación es superior a +39 ° C, la pantalla mostrará "HI" (alta temperatura). Cuando la temperatura está en el rango de -9-39 ° C, la pantalla mostrará la temperatura real en la habitación.

3.5. Características de seguridad:

3.5.1. Protección contra el sobrecalentamiento

La función de sobrecalentamiento apagará automáticamente el dispositivo cuando se sobrecaliente.

3.5.2. Consejo sobre interruptor de seguridad

Si inclina el dispositivo hacia un lado, escuchará un clic. Esto se debe al dispositivo de seguridad incorporado, que sirve para apagar automáticamente el dispositivo cuando está inclinado.

Si durante el funcionamiento el dispositivo está inclinado aprox. 40°, la función de seguridad se activa y el dispositivo se apagará.

Si el dispositivo se cae, entonces esta función sirve como protección contra situaciones peligrosas.

3.5.3. Fusible de calor doble

El dispositivo está equipado con un fusible de calor

reiniciable, que se activa y apaga el dispositivo si se sobrecalienta. Si ocurre tal situación, desconecte el dispositivo del. toma de corriente Tan pronto como el dispositivo se enfríe, conéctelo a la toma de corriente y puede volver a encenderlo.

Para aumentar la seguridad, el dispositivo está equipado con un fusible de calor no reiniciable para la situación en la que falla el primer fusible de calor. Si se ha activado el fusible de calor no reiniciable, no se puede reanudar el funcionamiento. Reparar el dispositivo a un centro de servicio autorizado.

3.6. Una vez que haya terminado de usar el dispositivo:

3.6.1. Desenchufe el aparato de la fuente de alimentación.

3.6.2 Limpie el aparato como se describe en la sección de limpieza.

4. Limpieza

4.1. Desconecte el aparato de la fuente de alimentación y deje que se enfríe por completo antes de realizar cualquier tarea de limpieza.

4.2. Limpie las partes externas del aparato con un paño húmedo con unas gotas de detergente líquido y luego séquelo. ¡PRECAUCIÓN! No sumerja las partes eléctricas del aparato en ningún líquido.

4.3. No utilice disolventes ni productos con pH ácido o alcalino, como blanqueador o productos abrasivos, para limpiar el aparato.

4.4. Nunca sumerja el aparato en agua ni en ningún otro líquido ni lo coloque bajo agua corriente.

4.5. El filtro de aire puede obstruirse con polvo y suciedad con el tiempo. Es importante limpiar el filtro de aire regularmente para garantizar la máxima eficiencia de operación. . Retire la parrilla para la entrada de aire de la parte posterior del dispositivo. Retire el filtro de aire de la parrilla. Lave el filtro a mano en una solución tibia de agua y detergente. Luego enjuague el filtro en agua limpia y permita que se seque completamente. Coloque el filtro limpio y seco nuevamente en la parrilla posterior y conéctelo al dispositivo. No use el dispositivo sin el filtro y la parrilla trasera instalados.

5. Anomalías y reparación

5.1. Tome el aparato a un centro de soporte au-





torizado si el producto está dañado o surgen otros problemas.

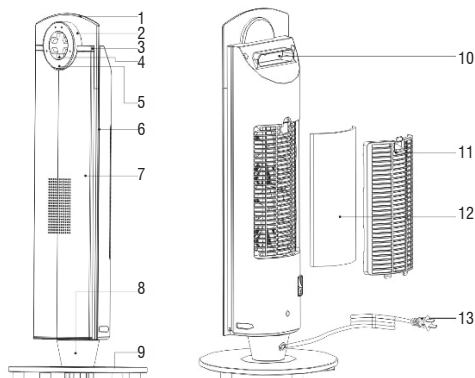
5.2. Si la conexión a la red se ha dañado, debe ser reemplazada y debe proceder como lo haría en caso de daños.





Cher client,

Merci d'avoir choisi d'acheter un produit de marque Taurus. Grâce à sa technologie, à sa conception, à son fonctionnement et au fait qu'elle dépasse les normes de qualité les plus strictes, une utilisation pleinement satisfaisante et une longue durée de vie du produit peuvent être assurées.



1. Description des pièces

1. Fenêtre supérieure de l'enceinte
2. Boîte de LED-PCB
3. Bande d'enceinte supérieure
4. Fenêtre d'affichage transparente
5. Fenêtre d'affichage
6. Boîtier latéral
7. Grill
8. Colonne de support
9. Base en verre
10. Poignée
11. Grille arrière
12. Filtre
13. Cordon d'alimentation

2. Conseils de sécurité et avertissements!

Lisez attentivement ces instructions avant d'allumer l'appareil et conservez-les pour référence ultérieure. Le non-respect de ces instructions peut entraîner un accident. Nettoyez toutes les parties du produit qui seront en contact avec les aliments, comme indiqué dans la section de nettoyage, avant utilisation.

2.1. Utilisation ou environnement de travail:

- 2.1.1. Gardez la zone de travail propre et bien éclairée. Les zones encombrées et sombres favorisent les accidents.
- 2.1.2. Utilisez l'appareil dans un endroit bien ventilé.
- 2.1.3. Ne placez pas l'appareil sur des surfaces chaudes, telles que des plaques de cuisson, des brûleurs à gaz, des fours ou des objets similaires.
- 2.1.4. Tenez les enfants et les spectateurs à distance lors de l'utilisation de cet appareil.
- 2.1.5. Placez l'appareil sur une surface horizontale, plane et stable et à l'écart des autres sources de chaleur et au contact de l'eau.
- 2.1.6. Tenez l'appareil à l'écart de tout matériau inflammable tel que textiles, rideaux, cartons ou papiers, etc.
- 2.1.7. Ne placez pas de matériau inflammable à proximité de l'appareil.
- 2.1.8. N'utilisez pas l'appareil en association avec un programmateur, une minuterie ou un autre appareil qui l'allume automatiquement.
- 2.1.9. N'utilisez pas l'appareil si le câble ou la prise est endommagé.
- 2.1.10. Assurez-vous que la tension indiquée sur l'étiquette correspond à la tension d'alimentation secteur avant de brancher l'appareil.
- 2.2.11. Branchez l'appareil sur le secteur avec une prise de terre d'au moins 10 Ampères.
- 2.1.12. La fiche de l'appareil doit s'insérer correctement dans la prise d'alimentation secteur. Ne pas modifier la fiche.
- 2.1.13. Si vous utilisez une prise multi-fiche, vérifiez soigneusement les valeurs car le courant utilisé par plusieurs appareils peut facilement dépasser la valeur nominale de la prise multiple.
- 2.1.14. Si l'un des boîtiers de l'appareil se casse, débranchez immédiatement l'appareil de l'alimentation secteur afin d'éviter tout risque d'électrocution.
- 2.1.15. N'utilisez pas l'appareil s'il est tombé sur le sol ou s'il présente des signes visibles de dommages.
- 2.1.16. Ne forcez pas le cordon d'alimentation. N'utilisez jamais le cordon d'alimentation pour soulever, transporter ou débrancher l'appareil.
- 2.1.17. N'enroulez pas le cordon d'alimentation autour de l'appareil.
- 2.1.18. Ne coupez pas et ne pliez pas le cordon d'alimentation.
- 2.1.19. Ne laissez pas le cordon d'alimentation pen-





dre ou entrer en contact avec les surfaces chaudes de l'appareil.

2.1.20. Vérifiez l'état du cordon d'alimentation. Les câbles endommagés ou emmêlés augmentent le risque de choc électrique.

2.1.21. L'appareil ne convient pas pour une utilisation en extérieur.

2.1.22. Le cordon d'alimentation doit être inspecté régulièrement pour déceler tout signe de dommage. Si le cordon est endommagé, il ne doit pas être utilisé.

2.1.23. Ne touchez pas la fiche avec les mains mouillées.

2.2. Sécurité personnelle:

2.2.1. ATTENTION: Ne laissez pas l'appareil sans surveillance pendant l'utilisation car il y a un risque d'accident.

2.2.2. Ne touchez pas les parties rotatives de l'appareil, cela pourrait provoquer des blessures graves.

2.2.3. Cet appareil est uniquement destiné à un usage domestique et non à un usage industriel ou professionnel. Il n'est pas destiné à être utilisé par les clients dans des environnements hospitaliers tels que chambres d'hôtes, hôtels, motels et autres types d'environnements résidentiels, même dans les fermes, les aires de travail dans les magasins, les bureaux et autres environnements de travail.

2.2.4. Cet appareil n'est pas conçu pour être utilisé par des personnes (y compris les enfants) ayant des capacités physiques, sensorielles ou mentales réduites, ou manquant d'expérience et de connaissances, à moins d'être supervisé ou instruit par une personne responsable de leur sécurité.

2.2.5. NB: Ne pas couvrir le radiateur pour éviter une surchauffe!

2.2.6. L'appareil de chauffage ne doit pas être placé directement sous une prise de courant.

2.2.7. AVERTISSEMENT: Cet appareil de chauffage n'est pas équipé d'un dispositif pour contrôler la température ambiante. N'utilisez pas cet appareil de chauffage dans des petites pièces lorsqu'elles sont occupées par des personnes qui ne sont pas capables de quitter la pièce de leur plein gré, à moins qu'une surveillance constante ne soit assurée.

2.2.8. Cet appareil n'est pas un jouet. Les enfants doivent être surveillés pour s'assurer qu'ils ne jouent pas avec l'appareil.

2.3. Utilisez et soignez:

2.3.1. Dérouler complètement le câble d'alimentation de l'appareil avant chaque utilisation.

2.3.2. N'utilisez pas l'appareil si les pièces ou les accessoires ne sont pas correctement installés.

2.3.3. Ne pas allumer l'appareil pendant son utilisation ou relié à l'alimentation secteur.

2.3.4. Débranchez l'appareil de l'alimentation secteur lorsqu'il n'est pas utilisé et avant d'entreprendre toute tâche de nettoyage.

2.3.5. Cet appareil doit être rangé hors de portée des enfants.

2.3.6. Ne stockez pas l'appareil s'il est encore chaud.

2.3.7. Ne laissez jamais l'appareil sans surveillance utiliser et hors de la portée des enfants.

2.3.8. Si, pour une raison quelconque, l'appareil devait prendre feu, débranchez l'appareil de l'alimentation secteur et NE PAS UTILISER D'EAU POUR METTRE L'INCENDIE.

2.4. Un service:

2.4.1. Assurez-vous que l'appareil est réparé uniquement par un technicien qualifié, et que seules des pièces de rechange d'origine ou des accessoires sont utilisés pour remplacer les pièces / accessoires existants.

2.4.2. Si le cordon d'alimentation est endommagé, le fabricant ou son agent de service ou une personne de même qualification doit le remplacer afin d'éviter un danger.

2.4.3. Toute mauvaise utilisation ou le non-respect des instructions d'utilisation rend la garantie et la responsabilité du fabricant nulles et non avenues.

AVIS IMPORTANTS:

1 NE COUVREZ PAS L'AVERTISSEMENT: Afin d'éviter la surchauffe, ne pas couvrir l'appareil de chauffage

2 l'appareil de chauffage ne doit pas être situé immédiatement en dessous d'une prise de courant.

3 N'utilisez pas cet appareil de chauffage dans les environs immédiats d'un bain, d'une douche ou d'une piscine.





4 **AVERTISSEMENT:** Cet appareil de chauffage n'est pas équipé d'un dispositif pour contrôler la température de la pièce. N'utilisez pas cet appareil dans des petites pièces lorsqu'elles sont occupées par des personnes qui ne sont pas capables de quitter la pièce.

5 Cet appareil n'est pas conçu pour être utilisé par des personnes (y compris les enfants) ayant des capacités physiques, sensorielles ou mentales réduites, ou manquant d'expérience et de connaissances, à moins d'être supervisé ou instruit par une personne responsable de leur sécurité. Les enfants doivent être surveillés pour s'assurer qu'ils ne jouent pas avec l'appareil.

6 Certaines parties de ce produit peuvent devenir très chaudes et causer des brûlures. Une attention particulière doit être accordée aux endroits où les enfants et les personnes vulnérables sont présents.

3. Instructions d'utilisation

3.1. Avant utilisation:

- 3.1.1. Retirez le film protecteur de l'appareil (le cas échéant).
- 3.1.2. Nettoyer de la manière décrite dans la section nettoyage avant d'utiliser le produit pour la première fois.

3.2. Assemblée:

1. Ouvrez la boîte et retirez toutes les parties de l'appareil. Dévisser l'écrou de fixation.
2. Placez la base sur le côté inférieur de l'appareil et replacez l'écrou de fixation.
3. Avant utilisation, placez l'appareil sur un sol stable et stable.



1. Body of the device 2. Base 3. Securing nut

3.3. Télécommande:

Insérez une batterie (non fournie). Il y a 6 boutons sur la télécommande. Leurs fonctions IARE équivalentes aux fonctions des capteurs

tactiles sur le panneau de commande de l'appareil. Si vous souhaitez utiliser la télécommande, dirigez la télécommande vers le niveau du panneau de commande à l'aide de l'écran. La portée maximale du signal de la télécommande est de 6 m. Si vous placez la télécommande de telle manière que la transmission du signal soit bloquée par une barrière, le signal peut ne pas être transmis du tout.

3.4. Utilisation et entretien:

OPÉRATION DE CHAUFFAGE

Branchez d'abord le cordon d'alimentation dans une prise de courant avec la tension correcte. Assurez-vous que l'appareil est situé sur une surface plane et stable.

Interrupteur principal (à l'arrière de l'appareil)
Pour allumer l'appareil, déplacez l'interrupteur principal. Un son sera produit, ce qui signifie que l'appareil est prêt à l'emploi.

3.4.1. Sous la condition de veille, il est en vain d'appuyer sur une touche à l'exception. Appuyez sur pour tourner vers la machine, appuyez à nouveau pour éteindre la machine. Lorsque l'unité est allumée:

- a) PTC: faible puissance, voyant 1200W allumé mais éteint 2000W.
- b) Oscillation: Pas d'oscillation, et le voyant d'oscillation éteint.
- c) Minuterie: Pas de minuterie, tous les voyants de la minuterie sont éteints
- d) Température: Led_H_ °C afficher la pièce réelle température de.
- e) Ventilateur CC: activé
- f) Réglage de la température: réglage automatique 25 °C

3.4.2. Lorsque l'appareil est allumé, appuyez sur pour passer en mode faible / fort.

- a) de faible puissance: travail de CP1, Led_1200W sur (PTC2 pas de chaleur, Led_2000W off)
- b) Haute puissance: PCB1 fonctionnant, Led_2000W sur (Led_1200W off). PCB2 commence à travailler 20s plus tard

3.4.3. Lorsque l'appareil est allumé, appuyez sur pour activer / désactiver la fonction d'oscillation.

- a) Oscillation sur: balançoire, Led_swing sur.
- b) l'oscillation de fermeture: stopswing, Led-balancer hors tension.





3.4.4. Lorsque l'appareil est allumé, appuyez sur SET pour régler l'heure.

a) Fonction minuterie: Appuyez sur n / off par 0.5s. Appuyez sur et pour régler l'heure de 1h à 12h.

b) Si vous réglez l'heure sur 0h, alors aucun réglage de l'heure.

c) Appuyer sur SET une fois, Led_H_°C et Led_H sont allumés, et o SET pour terminer le réglage du temps.

3.4.5. Réglage de la température: lorsque le réglage de l'arrêt automatique est terminé, appuyer à nouveau sur la touche SET. L'affichage montrera la valeur standard. Réglez la température à l'aide des capteurs tactiles "+" et "-" dans la plage 15-35 °C. Chaque fois que 25 °C et maintenant vous pouvez régler la température vous appuyez sur les boutons "+" ou "-" la température va augmenter ou diminuer de 1 °C. En même temps, la température réglée sera affichée sur l'affichage. En appuyant sur le capteur tactile SET, vous confirmez votre sélection. L'appareil passe en mode d'affichage.

3.4.6. La température dans la pièce et maintient automatiquement la température réglée en activant et désactivant les éléments chauffants.

3.4.7. Remarque: Si vous touchez le capteur SET, le voyant de contrôle clignote pendant une durée de 5 secondes. Si vous n'appuyez sur aucune touche dans les 5 secondes ou si vous appuyez sur une touche autre que SET, "+" ou "-", l'affichage LED affichera la température dans la pièce. Lorsque la température dans la pièce est inférieure à -9 °C, l'affichage indique "LO" (basse température). Lorsque la température dans la pièce est supérieure à +39 °C, l'affichage indique "HI" (haute température). Lorsque la température est comprise entre -9 et 39 °C, l'affichage indique la température réelle dans la pièce.

3.5. Des dispositifs de sécurité:

3.5.1. Protection contre la surchauffe

La fonction de surchauffe éteint automatiquement l'appareil lorsqu'il surchauffe.

3.5.2. Interrupteur de sécurité basculant

Si vous inclinez l'appareil sur le côté, vous entendrez un clic. Cela est dû au dispositif de sécurité intégré, qui sert à éteindre automatiquement l'appareil lorsqu'il est incliné.

Si pendant le fonctionnement, l'appareil est incliné

d'env. 40°, la fonction de sécurité est activée et l'appareil s'éteint.

Si l'appareil tombe, cette fonction sert de protection contre les situations dangereuses.

3.5.3. Double fusible thermique

L'appareil est équipé d'un fusible thermique réarmable qui est activé et arrête l'appareil en cas de surchauffe. Si une telle situation se produit, déconnectez l'appareil de l'al. Prise de courant. Dès que l'appareil se refroidit, branchez-le à la prise de courant et vous pourrez le rallumer.

Pour augmenter la sécurité, l'appareil est équipé d'un fusible thermique non réarmable dans la situation où le premier fusible thermique est défectueux. Si le fusible thermique non réinitialisable a été activé, le fonctionnement ne peut pas être repris. Faites réparer l'appareil à un centre de service autorisé.

3.6. Une fois que vous avez fini d'utiliser l'appareil:

3.6.1. Débranchez l'appareil de l'alimentation secteur.

3.6.2 Nettoyez l'appareil comme décrit dans la section nettoyage.

4. Nettoyage

4.1. Débranchez l'appareil de l'alimentation secteur et laissez-le refroidir complètement avant d'entreprendre toute tâche de nettoyage.

4.2. Nettoyez les parties extérieures de l'appareil avec un chiffon humide avec quelques gouttes de liquide vaisselle, puis séchez-les. MISE EN GARDE! Ne pas immerger les parties électriques de l'appareil dans un liquide.

4.3. N'utilisez pas de solvants ou de produits avec un pH acide ou basique tel que de l'eau de javel ou des produits abrasifs pour nettoyer l'appareil.

4.4. N'immergez jamais l'appareil dans l'eau ou tout autre liquide ou placez-le sous l'eau courante.

4.5. Le filtre à air peut s'obstruer de poussière et de saleté avec le temps. Il est important de nettoyer régulièrement le filtre à air pour assurer une efficacité maximale. Retirez la grille pour l'entrée d'air de la partie arrière de l'appareil. Retirez le filtre à air du gril. Laver le filtre à la main dans une solution tiède d'eau et de détergent. Ensuite, rincez le filtre dans de l'eau propre et laissez-le sécher complètement. Placez le





filtre propre et sec dans la grille arrière et fixez-le à l'appareil. N'utilisez pas l'appareil sans le filtre et la grille arrière installés.

5. Anomalies et réparation

5.1. Prenez l'appareil à un centre de support autorisé si le produit est endommagé ou d' autres problèmes se posent.

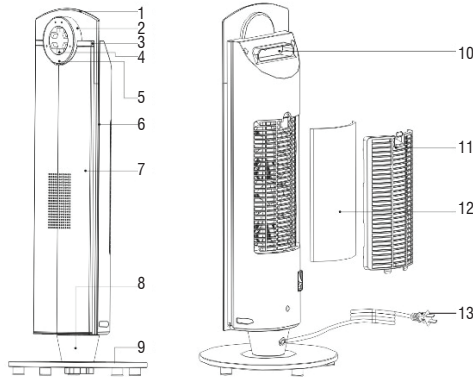
5.2. Si la connexion au secteur a été endommagée, elle doit être remplacée et vous devez procéder comme vous le feriez en cas de dommages.





Estimado cliente,

Obrigado por escolher comprar um produto da marca Taurus. Graças à sua tecnologia, design e operação e ao fato de que excede os mais rigorosos padrões de qualidade, pode ser assegurado um uso totalmente satisfatório e uma longa vida útil.



1. Descrição das peças

1. Janela do gabinete superior
2. Caixa LED-PCB
3. Tira de cobertura superior
4. Janela de exibição transparente
5. Janela de exibição
6. Gabinete lateral
7. Grelha
8. Coluna de suporte
9. Base de vidro
10. Pega
11. Grelha traseira
12. Filtro
13. Cabo de alimentação

2. Conselhos de segurança e avisos!

Leia atentamente estas instruções antes de ligar o aparelho e mantê-las para futuras referências. A falha em seguir e observar estas instruções pode levar a um acidente. Limpe todas as partes do produto que estejam em contato com alimentos, conforme indicado na seção de limpeza, antes de usar.

2.1. Ambiente de uso ou de trabalho:

- 2.1.1. Mantenha a área de trabalho limpa e bem iluminada. As áreas desordenadas e escuras convidam acidentes.
- 2.1.2. Use o aparelho em uma área bem ventilada.
- 2.1.3. Não coloque o aparelho sobre superfícies quentes, como placas de cozinhar, queimadores de gás, fornos ou itens similares.
- 2.1.4. Mantenha as crianças e os transeuntes afastados ao usar este aparelho.
- 2.1.5. Coloque o aparelho sobre uma superfície horizontal, plana e estável, longe de outras fontes de calor e entre em contato com água.
- 2.1.6. Mantenha o aparelho longe de materiais inflamáveis, como têxteis, cortinas, papelão ou papel, etc.
- 2.1.7. Não coloque material inflamável perto do aparelho.
- 2.1.8. Não use o aparelho em associação com um programador, temporizador ou outro dispositivo que o liga automaticamente.
- 2.1.9. Não use o aparelho se o cabo ou a ficha estiverem danificados.
- 2.1.10. Certifique-se de que a tensão indicada na etiqueta de classificação corresponda à tensão de alimentação da rede antes de conectar o aparelho.
- 2.2.11. Conecte o aparelho à fonte de alimentação com um soquete de terra suportando um mínimo de 10 amperes.
- 2.1.12. A ficha do aparelho deve caber na tomada da rede elétrica corretamente. Não altere o plugue.
- 2.1.13. Se estiver usando uma ficha múltipla, verifique cuidadosamente as avaliações, pois a corrente usada por diversos aparelhos pode exceder facilmente a classificação do plugue múltiplo.
- 2.1.14. Se algum dos invólucros do aparelho se romper, desligue imediatamente o aparelho da fonte de alimentação para evitar a possibilidade de um choque elétrico.
- 2.1.15. Não use o aparelho se cair no chão ou se houver sinais visíveis de danos.
- 2.1.16. Não force o cabo de alimentação. Nunca use o cabo de alimentação para levantar, transportar ou desconectar o aparelho.
- 2.1.17. Não enrole o cabo de alimentação em volta do aparelho.
- 2.1.18. Não prenda ou dobre o cabo de alimentação.
- 2.1.19. Não permita que o cabo de alimentação fique pendurado ou entre em contato com as superfícies quentes do aparelho.
- 2.1.20. Verifique o estado do cabo de alimentação.





Cabos danificados ou emaranhados aumentam o risco de choque elétrico.

2.1.21. O aparelho não é adequado para uso externo.

2.1.22. O cabo de alimentação deve ser examinado regularmente quanto a sinais de danos, e se o cabo estiver danificado, o aparelho não deve ser usado.

2.1.23. Não toque na ficha com as mãos molhadas.

2.2. Segurança pessoal:

2.2.1. CUIDADO: Não deixe o aparelho sem vigilância durante o uso como há um risco de um acidente.

2.2.2. Não toque nas partes rotativas do aparelho, pois pode causar ferimentos graves.

2.2.3. Este aparelho é apenas para uso doméstico, não para uso industrial ou profissional. Não se destina a ser usado por convidados em ambientes de hospitalidade, como cama e café da manhã, hotéis, motéis e outros tipos de ambientes residenciais, mesmo em casas de fazenda, áreas de cozinha em lojas, escritórios e outros ambientes de trabalho.

2.2.4. Este aparelho não se destina a ser utilizado por pessoas (incluindo crianças) com capacidades físicas, sensoriais ou mentais reduzidas, ou falta de experiência e conhecimento, a menos que tenham sido supervisionadas ou instruídas sobre o uso do aparelho por uma pessoa responsável pela sua segurança.

2.2.5. NB: Não cubra o aquecedor para evitar o excesso de aquecimento!

2.2.6. O aquecedor não pode ser colocado diretamente abaixo de uma tomada elétrica.

2.2.7. AVISO: Este aquecedor não está equipado com um dispositivo para controlar a temperatura ambiente. Não use este aquecedor em locais pequenos quando ocupados por pessoas que não são capazes de deixar a sala por vontade própria, a menos que seja providenciada supervisão constante.

2.2.5. Este aparelho não é um brinquedo. As crianças devem ser supervisionadas para garantir que não brincom com o aparelho.

2.3. Uso e cuidado:

2.3.1. Desligue completamente o cabo de alimentação do aparelho antes cada utilização.

2.3.2. Não use o aparelho se as peças ou acessórios não estiverem adequadamente instalados.

2.3.3. Não ligue o aparelho enquanto estiver em uso

ou ligado à corrente elétrica.

2.3.4. Desconecte o aparelho da fonte de alimentação quando não estiver em uso e antes de realizar qualquer tarefa de limpeza.

2.3.5. Este aparelho deve ser armazenado fora do alcance das crianças.

2.3.6. Não guarde o aparelho se ainda estiver quente.

2.3.7. Nunca deixe o aparelho sem vigilância quando usar e manter fora do alcance das crianças.

2.3.8. Se, por algum motivo, o aparelho incendiar, desconecte o aparelho da fonte de alimentação e NÃO USE ÁGUA PARA PONER O INCÊNDIO.

2.4. Serviço:

2.4.1. Certifique-se de que o aparelho é servido apenas por um técnico devidamente qualificado e que apenas peças sobressalentes originais ou acessórios são usados para substituir peças / acessórios existentes.

2.4.2. Se o cabo de alimentação estiver danificado, o fabricante ou o seu agente de serviço ou uma pessoa qualificada substituí-lo, a fim de evitar riscos.

2.4.3. Qualquer uso indevido ou falha em seguir as instruções de uso torna a garantia e a responsabilidade do fabricante nula e sem efeito.

AVISOS IMPORTANTES:



1 NÃO COBERTA AVISO:

Para evitar o superaquecimento, não cubra o aquecedor

2 o aquecedor não deve estar localizado imediatamente abaixo de uma tomada.

3 Não use este aquecedor nas imediações de um banho, um chuveiro ou uma piscina.

4 ADVERTÊNCIA: Este aquecedor não está equipado com um dispositivo para controlar a temperatura ambiente. Não use este aquecedor em locais pequenos quando eles são ocupados por pessoas que não são capazes de sair sozinhas, a menos que seja providenciada supervisão constante.

5 Este aparelho não se destina a ser utilizado por pessoas (incluindo crianças) com capacidades





físicas, sensoriais ou mentais reduzidas ou falta de experiência e conhecimento, a menos que tenham sido supervisionadas ou instruídas sobre o uso do aparelho por uma pessoa responsável pela sua segurança. As crianças devem ser supervisionadas para garantir que não brincam com o aparelho.

6 Algumas partes deste produto podem ficar muito quentes e causar queimaduras. Deve ser prestada especial atenção quando crianças e pessoas vulneráveis estejam presentes.

3. Instruções de uso

3.1. Antes de usar:

3.1.1. Remova a película protetora do aparelho (se aplicável).

3.1.2. Antes de usar o produto pela primeira vez, limpe da maneira descrita na seção de limpeza.

3.2. montagem:

1. Abra a caixa e tire todas as partes do dispositivo. Desaparafuse a porca de segurança.

2. Coloque a base no lado inferior do dispositivo e volte a usar o parafuso da porca de segurança.

3. Antes de usar, coloque o dispositivo em um piso igual e estável.



1. Body of the device 2. Base 3. Securing nut

3.3. Controle remoto:

Insira uma bateria (não incluída).

Existem 6 botões no controle remoto. As suas funções iare equivalente para as funções dos sensores de toque no painel de controlo do aparelho. Se você deseja usar o controle remoto, aponte o controle remoto em aproximadamente o nível do painel de controle com a tela. O alcance máximo do sinal do controle remoto é de 6 m. Se você colocar o controle remoto de forma que a transmissão do sinal

seja bloqueada por barreira, o sinal pode não ser transmitido.

3.4. Usar e cuidar:

OPERAÇÃO DO CALOR

Primeiro conecte o cabo de alimentação a uma tomada elétrica com a tensão correta. Certifique-se de que o dispositivo esteja localizado em uma superfície uniforme e estável.

Interruptor principal (na parte de trás do dispositivo)
Para ligar o dispositivo, mova a chave principal. Será produzido um som, o que significa que o dispositivo está pronto para uso.

3.4.1. Sob a condição de espera, é em vão pressionar qualquer botão, exceto. Pressione para virar a máquina, pressione novamente para desligar a máquina. Quando a unidade está ligada:

a) PTC: potência baixa, luz indicadora de 1200 W acesa, mas luz 2000W apagada.

b) Oscilação: não oscilação e a luz indicadora de oscilação apagada.

c) Temporizador: sem temporizador, todas as luzes do indicador do temporizador estão desligadas

d) Temperatura: Led_H_°C exibir o quarto real temperatura.

e) Ventilador DC: ligado

f) Configuração da temperatura: conjunto automático 25°C

3.4.2. Quando a unidade estiver ligada, pressione para mudar a energia Low / Hi.

a) de baixa potência: PTC1 de trabalho, Led_1200W on (PTC2 não calor, Led_2000W off)

b) Alta potência: PCB1 funcionando, Led_2000W ligado (Led_1200W desligado). PCB2 começa a trabalhar 20s depois

3.4.3. Quando a unidade estiver ligada, pressione para ligar / desligar a função de oscilação.

a) Oscilação em: swing, Led_swing diante.

b) Oscilação off: stopswing, Led-balançar fora.

3.4.4. Quando a unidade estiver ligada, pressione SET para ajustar o tempo.

a) Função do temporizador: Pressione n / off por

0.5. Pressione e para definir o tempo de 1h a 12h.

b) Se definir o tempo para 0h, então não há ajuste de hora.

c) Pressione SET uma vez, Led_H_°C e Led_H estão em, e o SET para concluir a definição da hora.

3.4.5. Configuração da temperatura: quando a





configuração do desligamento automático for concluída, pressione o botão SET novamente. A exibição mostrará o valor padrão. Se a temperatura usando os sensores de toque "+" e "-" na faixa de 15-35 ° C. Cada vez que 25 ° C e agora você pode ajustar a temperatura, você pressiona os botões "+" ou "-", a temperatura aumentará ou diminuirá em 1 ° C. Ao mesmo tempo, a temperatura ajustada será exibida no visor. Ao pressionar o SET do toque, você confirmará sua seleção. O dispositivo irá mudar para a exibição do modo.

3.4.6. A temperatura na sala e irá manter automaticamente a temperatura ajustada, ligando e desligando os elementos de aquecimento.

3.4.7. Nota: Se você tocar o SET sensor, a luz de controle pisca durante um período de 5 segundos. Se você não pressionar nenhum botão dentro de 5 segundos ou pressionar um botão diferente de SET, "+" ou "-", a tela LED exibirá a temperatura na sala. Quando a temperatura na sala for inferior a -9 ° C, o visor mostrará "LO" (baixa temperatura). Quando a temperatura na sala for superior a +39 ° C, o visor mostrará "HI" (alta temperatura). Quando a temperatura estiver na faixa de -9-39 ° C, o visor mostrará a temperatura real na sala.

3.5. Características de segurança:

3.5.1. Proteção contra o superaquecimento

A função de superaquecimento desligará automaticamente o aparelho quando ele sobreaquecer.

3.5.2. Dica sobre interruptor de segurança

Se você inclinar o dispositivo para o lado, você ouvirá um clique. Isto é devido ao dispositivo de segurança incorporado, que serve para desligar automaticamente o dispositivo quando ele está inclinado.

Se durante a operação o dispositivo for inclinado em aprox. 40°, a função de segurança é ativada e o dispositivo será desligado.

Se o dispositivo cair, esta função serve como proteção contra situações perigosas.

3.5.3. Duplo fusível de calor

O dispositivo está equipado com um fusível de calor reinicializável, que é ativado e desliga o dispositivo se ele sobreaquecer. Se tal situação ocorrer, desco-

necte o dispositivo do tomada de força. Assim que o dispositivo esfriar, conecte-o à tomada elétrica e você pode voltar a ligar.

Para aumentar a segurança, o dispositivo está equipado com um fusível de calor não reinicializável para a situação, onde o primeiro fusível de calor funciona de forma incorreta. Se o fusível de calor não reinicializado tiver sido ativado, a operação não pode ser retomada. Ter o dispositivo reparado em um centro de serviço autorizado.

3.6. Depois de terminar o uso do aparelho:

3.6.1. Desconecte o aparelho da fonte de alimentação.

3.6.2 Limpe o aparelho como descrito na seção de limpeza.

4. Limpeza

4.1. Desconecte o aparelho da fonte de alimentação e deixe esfriar completamente antes de realizar qualquer tarefa de limpeza.

4.2. Limpe as partes externas do aparelho com um pano úmido com algumas gotas de líquido de lavagem e depois seque. CUIDADO! Não mergulhe peças elétricas do aparelho em nenhum líquido.

4.3. Não use solventes, nem produtos com um pH ácido ou de base, como lixívia ou produtos abrasivos, para limpeza do aparelho.

4.4. Nunca submergir o aparelho em água ou qualquer outro líquido ou colocá-lo sob água corrente.

4.5. O filtro de ar pode ficar entupido com poeira e sujeira ao longo do tempo. É importante limpar o filtro de ar regularmente para garantir a máxima eficiência de operação. . Remova a grelha para o fluxo de ar da parte traseira do dispositivo. Remova o filtro de ar da grelha. Lave o filtro à mão em uma solução morna de água e detergente. Em seguida, enxágue o filtro em água limpa e deixe secar completamente. Coloque o filtro limpo e seco novamente na grelha traseira e prenda-o ao dispositivo. Não use o dispositivo sem que o filtro e a grelha traseira estejam instalados.

5. Anomalias e reparação

5.1. Levar o aparelho a um centro de suporte autorizado se o produto estiver danificado ou surgir





outros problemas.

5.2. Se a conexão à rede tiver sido danificada, ela deve ser substituída e você deve prosseguir como faria em caso de danos.





taurus



Thank you for purchasing a Taurus product. Taurus guarantees that your product has been thoroughly inspected and tested before being dispatched and is free from mechanical and electrical defects and complies with the applicable safety standards. With every Taurus product purchased you get a 2 year warranty as detailed in the terms and conditions below.

First Year – 1 Year Retail Warranty:

Should defects due to faulty parts or workmanship develop, under normal domestic use, within 12 months from the original date of purchase please return the product to the store from where it was purchased for a refund or replacement.

Second Year – 1 Year Extended Warranty

Taurus takes pride in their product quality and therefore offer an extended 12 month warranty over and above the 1 Year Retail Warranty. Should defects due to faulty material or workmanship develop, under normal domestic use, after the 12 month period and within 24 months from the original date of purchase, please return the product postage pre-paid to Taurus for repair. Taurus will repair the product free of charge and return it to you directly. Taurus will replace a product with a similar product in the same or better condition, if the repair cannot be conducted for whatever reason. NB: The 1 Year Extended Warranty is only valid for customers who have registered their warranty online at www.taurusappliances.co.za within the first year after making their purchase. See overleaf for details and instructions.

Before returning your product, check the following:

- Your household mains supply socket is in good condition, working and switched on.
- The mains supply circuit is not overloaded (White trip switch on your DB board is off).
- You have read the trouble shooting guide in your Instructions for Use.
- All accessories and parts are present.

The following conditions apply:

1. Please ensure you retain your receipt as this must be presented when making a claim under the terms of the guarantee. It is impossible to determine the guarantee period without proof of purchase, so please keep this in a safe place. (NB. Your guarantee can be scanned onto the Taurus web site for safe storage – see reverse side for details.)
2. If a refund or exchange is required the product must be complete with all accessories, parts and packaging. Missing parts will render the guarantee void.
3. Upon receipt of your appliance, check it for any transport damage to ensure it is safe for use. Return it to the store as soon as possible for exchange if damaged. The guarantee is void if products are damaged after

use, so please do not use the damaged product.

4. Your product is designed for normal domestic household use. Failure to read and comply with the instructions for use, cleaning and maintenance will render your guarantee void, so please read these instructions carefully to ensure your safety, and to get the most effective use from the product. (e.g. not removing lime scale; water deposits; insect infestation, and/or burnt products)
5. Any abuse, negligent, improper or accidental use or care will render the guarantee void and Creative Housewares (Pty) Ltd will not be liable for any loss or damage.
6. Any attempted repair, or replacement of unauthorised parts will render the guarantee void, so please contact an authorised service centre or service agent for any service or repair requirements.
7. NB: The guarantee on replaced products will be from the original date of purchase and not from when the date replacement was made.
8. All repairs carry a 3 month guarantee even if this falls outside of the 2 year guarantee period.
9. Taurus will attempt to conduct repairs within reasonable time in line with industry standards but cannot be held responsible or liable for any circumstances not under our control.

Repairs Out of the Warranty Period

If service or repair becomes necessary outside the warranty period, this service is still available however all transport/postage, spares and labour costs will be for the customers' account. All chargeable repairs will require the customers' written acceptance of the quote. Once the go-ahead has been received Taurus will undertake to conduct the repair within a reasonable time and maintain the condition of the product as received. All repairs are guaranteed for 3 months from the date of the repair.

For any service, enquiries and complaints please contact our Customer Care on 086 111 5006 or e-mail help@creativehousewares.co.za from 08h00 to 15h00 Monday to Friday excluding public holidays. Please also note that the company is normally closed for 2 weeks around Christmas and New Year.

Please send all products for repair postage pre-paid to one of the service centres listed on the back of this page.





ONLINE WARRANTY REGISTRATION

Why register your warranty?

We at Taurus pride ourselves on bringing premium quality appliances to market, and as a commitment to this level of quality we offer a 2 year warranty (1 Year Retail + 1 Year Extended) on all of our products. We often hear that our customers lose their receipts and can therefore no longer claim if they have a problem. To take advantage of the 1 Year Extended Warranty you will need to register your warranty online within the first year of purchase in order to make a valid claim. Now you can register your product, upload your warranty online, never have to worry about losing your receipt again and enjoy the benefit of your 2 year warranty.

Added Benefits

In addition to providing you with an online profile of your registered products we will also provide a host of value added benefits:

- Incentives and Competitions for registered users
- New recipes or ideas for your products
- New product developments – be the first to get the latest appliances
- Special offers on promotional items

How to Register your Online Warranty?

STEP1 Create your user profile:

If you haven't done so already, simply visit www.taurusappliances.co.za, click on the "Product Registration" link and follow the easy instructions. You will receive a username and password once registered. This will give you access to your user profile.



taurusappliances.co.za

STEP2 Pick a registration method:



DESKTOP/ LAPTOP

- Open your internet browser and visit www.taurusappliances.co.za
- Click on the "Registration" link and login using your user name and password.
- Click on "Register your products and upload receipts" and follow the easy instructions.
- Scan and upload your receipt



SMART PHONE/ TABLET

- Scan the QR code above or visit www.taurusappliances.co.za
- Click on the "Registration" link and login using your user name and password.
- Click on "Register your products and upload receipts" and follow the easy instructions.
- Scan or take a photo and upload your receipt.



FAX

- Fax the following to 021 931 4058
- First Name and Surname
- Contact telephone and fax number.
- Product Model number and Type.
- Traceability Code (found on the Warranty Card or on a label on the product)
- A clear and legible copy of your receipt.

Notes:

1. The online warranty system is a safe storage facility for your receipt.
2. You will be required to register on the Taurus website. You will receive a username and password once registered. This will give you access to your profile.
3. From your profile you will be able to load products that you have purchased. In order to successfully register your warranty you will need to either scan and upload, or fax through your receipt to us.
4. All instructions on how to load your products are available

inside your profile.

5. Please note that you must check that your receipt has been uploaded correctly. Creative Housewares cannot be held responsible for faxes or files not received.

6. For assistance with registration please email: marketing@creativehousewares.co.za.

NB: Your 1 year extended warranty is only valid if your product is registered online within the first year after purchasing your Taurus product. Failure to register your product on-line within the first year will render the extended warranty as void.

creative housewares

National Service Centre: 086 111 5006
e-mail: help@creativehousewares.co.za
www.creativehousewares.co.za

Cape Town

20 Tekstiel Street, Parow, Cape Town, 7493,
South Africa • P.O. Box 6156 Parow East, 7501,
South Africa Tel: +27 21 931 8117
Fax: +27 21 931 4058

Durban

35 Adrain Road, Windermere,
Durban, South Africa, 4001
Tel: +27 31 303 3465
Fax: +27 31 303 8259

Johannesburg

Unit 25 & 26 San Croy Office Park
Die Agora Road, Croydon, 1619
Tel: +27 11 392 5652
Fax: +27 11 392 1694



taurus

**2 JAAR
WAARBORG**
1 JAAR KLEINHANDELS
+ 1 JAAR UITGEBREID

taurusappliances.co.za
Registreer Aanlyn

Dankie vir die aankoop van 'n Taurus produk. Taurus waarborg dat u produk deeglik geïnspekteer en getoets word voordat dit versend word en is vry van meganiese en elektriese gebreke en voldoen aan die toepasslike veiligheidstandaarde. Met elke Taurus produk wat gekoop word kry u 'n 2 jaar waarborg soos uiteengesit in die terme en voorwaardes hieronder.

Eerste Jaar - 1 Jaar Kleinhandelswaarborg:

Indien defekte as gevolg van foutiewe onderdele of vakmanskap binne 12 maande onder normale huishoudelike gebruik ontwikkel, binne die 12 maande vanaf die oorspronklike datum van aankoop, neem asseblief die produk na die winkel van waar dit gekoop is vir 'n terugbetaling of vervanging.

Tweede Jaar - 1 Jaar Uitgebreide Waarborg

Taurus is trots op die kwaliteit van die produk en bied dus 'n uitgebreide 12 maande waarborg bo en behalwe die 1 Jaar Kleinhandelswaarborg. Indien defekte as gevolg van foutiewe materiaal of vakmanskap ontwikkel, onder normale huishoudelike gebruik, na die 12 maande tydperk en binne 24 maande vanaf die oorspronklike datum van aankoop, stuur die produk terug met posgeld betaal na Taurus vir herstel. Taurus sal die produk gratis herstel en dit direk aan u terugstuur. Taurus sal die produk vervang met 'n soortgelyke produk in dieselfde of beter toestand, as die herstel nie uitgevoer kan word vir watter rede ookal nie.

NB: Die 1 Jaar Uitgebreide waarborg is slegs geldig vir kliënte wat hul waarborg geregistreer het op ons webtuiste by www.taurusappliances.co.za binne die eerste jaar nadat hulle dit aangekoop het. sien keersy vir besonderhede en instruksies.

Voordat u die produk terug stuur, maak seker van die volgende:

- U huishoudelike geleidingsok is in 'n goeie toestand, werk en aangeskakel is,
- Die geleidingsok is nie oorlaai nie (Wit uitskop skakelaar op u DB bord af is),
- U het die moeilikheid steuringsgids gelees in u instruksies vir gebruik,
- Alle bykomstighede en dele teenwoordig is.

Die volgende voorwaardes geld:

1. Maak seker dat u kwitansie behoue is, dit moet aangebied word wanneer 'n eis gemaak word onder die voorwaardes van die waarborg. Dit is onmoontlik om die waarborg tydperk te bepaal sonder die bewys van aankoop, so hou dit asseblief in 'n veilige plek. (NB. U waarborg kan opgeskandeer word na die Taurus webtuiste vir veilige bewaring - sien keersy vir meer inligting.)
2. Indien 'n terugbetaling of omruiling van die produk nodig is moet die produk volledig wees met al die bykomstighede, onderdele en verpakking. Toebehore wat weg is sal die waarborg nietig maak.
3. Met ontvangs van u toestel, gaan dit na vir enige vervoer skade om te verseker dat dit veilig is vir gebruik. Stuur dit so gou as moontlik terug na die winkel om die beska-

digde toestel te vervang. Die waarborg is nietig indien die beskadigde produk gebruik word na die tyd, so moet asseblief nie die beskadigde produk gebruik nie.

4. U produk is ontwerp vir normale huishoudelike gebruik. Deur te versuim om die instruksies te lees en te voldoen aan die terme van gebruik, die skoonmaak en instandhouding van die produk maak u waarborg ongeldig, so lees asseblief hierdie instruksies versigtig om u veiligheid te verseker, en om die beste uit die gebruik van die produk te kry. (bv nie die verwydering van kalk skaal; water neerslag; insek besmetting, en / of verbrande produkte)
5. Enige misbruik, nalatige, onbehoorlike of toevallige beskadiging of sorg van die produk word die waarborg nietig en Creative Housewares (Pty) Ltd, sal nie aanspreeklik wees vir enige verlies of skade nie.
6. Enige poging tot herstel, of vervanging met ongemagtigde onderdele sal die waarborg nietig maak, so kontak 'n gemagtigde dienssentrum of diensagent vir enige diens of herstelwerk.
7. NB: Die waarborg op die vervangingsproduk sal by die oorspronklike datum van aankoop bly en nie van die datum wanneer dit vervang is nie.
8. Alle herstelwerk dra 'n 3 maande waarborg selfs al val dit buite die 2-jaar waarborg tydperk.
9. Taurus sal probeer om die herstelwerk te doen binne 'n redelike tyd in lyn met die industrie standaard, maar kan nie verantwoordelik gehou word of aanspreeklik wees vir enige omstandighede nie onder ons beheer nie.

Herstelwerk buite die waarborg tydperk

As diens of herstelwerk benodig word buite die waarborg tydperk, is hierdie diens steeds beskikbaar, maar is alle vervoer / posgeld, onderdele en arbeidskoste op die kliënte se onkoste. Alle betaalbare herstelwerk sal skriftelike aanvaarding van die kwotasie vereis van die kliënt. So dra Taurus die groen lig ontvang sal ons onderneem om die herstel binne 'n redelike tyd en in dieselfde toestand te hou as wat die produk ontvang is. Alle herstelwerk is gewaarborg vir 3 maande vanaf die datum van die herstel.

Vir enige diens, navrae en klagtes kontak ons Kliënte diens op 086 111 5006 of e-pos help@creativehousewares.co.za vanaf 08h00 tot 15h00, Maandag tot Vrydag, openbare vakansiedae uitgesluit. Let asseblief ook daarop dat die maatskappy gewoonlik gesluit is vir 2 weke gedurende Kersfees en Nuwejaar.

Stuur asseblief alle produkte vir herstel met posgeld vooruit betaal aan een van die dienssentrums wat op die agterkant van hierdie bladsy verskyn.



AANLYN WAARBORG REGISTRASIE

Hoekom moet u die waarborg moet registreer?

Ons by Taurus is trots om premium gehalte toestelle op die mark te bring, en as 'n verbintenis tot die vlak van gehalte bied ons 'n 2 jaar waarborg (1 Jaar Kleinhandel + 1 Jaar Uitgebreide) op al ons produkte. Ons hoor dikwels dat ons kliënte hul kwitansies verloor en kan dus nie meer eis as hulle 'n probleem het nie. Om voordeel te trek van die 1 Jaar Uitgebreide waarborg sal u nodig hê om u waarborg aanlyn te registreer binne die eerste jaar van aankoop om 'n geldige eis te maak. Nou kan u die produk aanlyn registreer, laai u waarborg en hoef u nooit te bekommer dat u die kwitansie sal verloor nie en die voordeel van u 2-jaar waarborg geniet.

Bygevoegde Voordele

Bykomend tot die verskaffing van 'n aanlyn profiel van u geregistreerde produkte bied ons ook vele ander toegevoegde waarde voordele:

- aansporings en kompetisies vir geregistreerde gebruikers
- nuwe resepte of idees vir u produkte
- nuwe produk ontwikkelings - die eerste wees om die nuutste toestelle te kry
- spesiale aanbiedings op promosie-items

Hoe om u Aanlyn Waarborg te Registreer?

STAP 1 Skep u gebruikersprofiel:

As u dit nie reeds gedoen het nie, besoek www.taurusappliances.co.za, klik op die "Product Registration" skakel en volg die maklike instruksies. U sal 'n gebruikersnaam en wagwoord ontvang sodra u geregistreer het. Dit sal u toegang tot u profiel gee.



taurusappliances.co.za

STAP 2 Kies 'n registrasie metode:



REKENAAR/ SKOOTREK- ENAAR

- Maak u internet snuffelgids oop en besoek www.taurusappliances.co.za
- Klik op die "Registrasie" skakel en teken in met u gebruikersnaam en wagwoord.
- Klik op "Register your products" en laai kwitansies en volg die maklike instruksies.
- Skandeer en laai u strokie



SMART- FOON / TABLET

- Skandeer die QR-kode bo of besoek www.taurusappliances.co.za
- Klik op die "Registration" skakel en teken aan met u verbruikersnaam en wagwoord.
- Klik op "Register your products" en laai u kwitansie en volg die maklike instruksies.
- Skandeer of neem 'n foto en laai u strokie.



FAKS

- Faks die volgende na 021 931 4058
- Naam en Van
- Kontak telefoon en faksnommer.
- Produk model nommer en tipe.
- Traceability Code (wat op die
- Waarborgkaart of op 'n etiket op die produk gevind kan word)
- 'n Duidelike en leesbare afskrif van u ontvangs.

Notas:

1. Die aanlyn waarborg stelsel is 'n veilige stoor fasiliteit vir u strokies.
2. U sal gevra word om op die Taurus webtuiste te registreer. U sal 'n gebruikersnaam en wagwoord ontvang. Dit sal u toegang gee tot u profiel.
3. Van u profiel u sal in staat wees om produkte te laai wat u gekoop het. Om u waarborg suksesvol te registreer sal u nodig hê om of te skandeer en oplaai, of faks u strokie deur na ons.
4. Alle instruksies oor hoe om u produkte te laai is beskikbaar binne in u profiel.
5. Let daarop dat u moet seker maak dat u kwitansie korrek op-

gelaai is. Creative Housewares kan nie verantwoordelik gehou word vir fakse of lêers nie ontvang nie.

6. Vir hulp met registrasie e-pos asseblief: marketing@creative-housewares.co.za.

NB: U 1 jaar verlengde waarborg is slegs geldig indien u produk aanlyn geregistreer is binne die eerste jaar na die aankoop van u Taurus produk. Indien u produk nie aanlyn geregistreer word binne die eerste jaar nie sal dit die verlengde waarborg nietig maak.

creative housewares

Nasionale Dienssentrum: 086 111 5006
e-pos: help@creativehousewares.co.za
www.creativehousewares.co.za

Kaapstad

20 Tekstielstraat, Parow, Kaapstad, 7493, Suid Afrika • PO. Box 6156 Parow Oos, 7501, Suid Afrika Tel: +27 21 931 8117
Faks: +27 21 931 4058

Durban

35 Adrain Road, Windermere, Durban, South Africa, 4001
Tel: +27 31 303 3465
Fax: +27 31 303 8259

Johannesburg

Unit 25 & 26 San Croy Office Park
Die Agora Road, Croydon, 1619
Tel: +27 11 392 5652
Fax: +27 11 392 1694





Durban
35 Adrain Road, Windermere,
Durban, South Africa, 4001
Tell: +27 31 303 3465
Fax: +27 31 303 8259

creative housewares
 20 Tekstiel St. Parow, Cape Town, 7493, RSA
 P.O. Box 6156 Parow East, 7501, RSA
 +27 21 931 8117  +27 21 931 4058
Service Centre Helpline: 086 111 5006
 www.creativehousewares.co.za

Johannesburg
Unit 25 & 26 San Croy Office Park
Die Agora Road, Croydon, 1619
Tell: +27 11 392 5652
Fax: +27 11 392 1694

