

taurus



ENGLISH / AFRIKAANS

FREGIDORA- GREIX

complies with
INTERNATIONAL
IEC60335
SAFETY SPECIFICATIONS

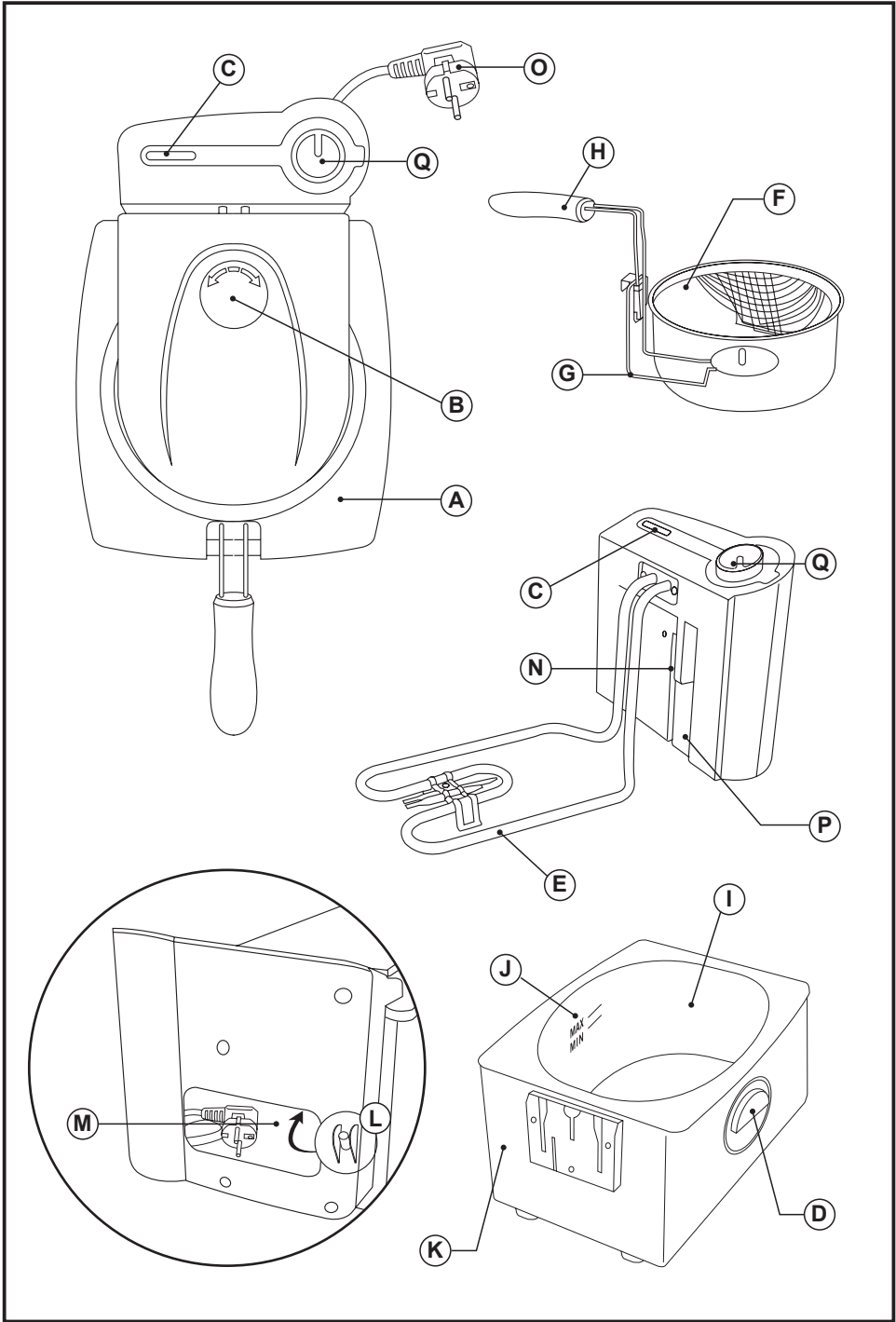
t
2100W

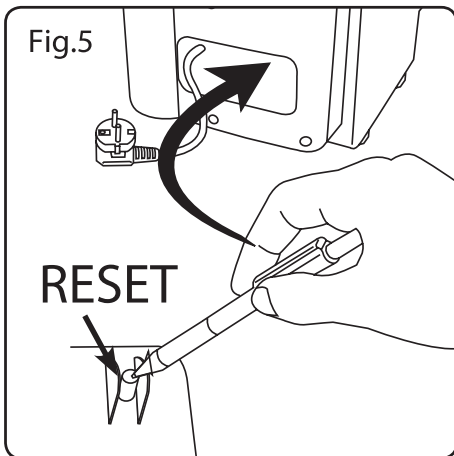
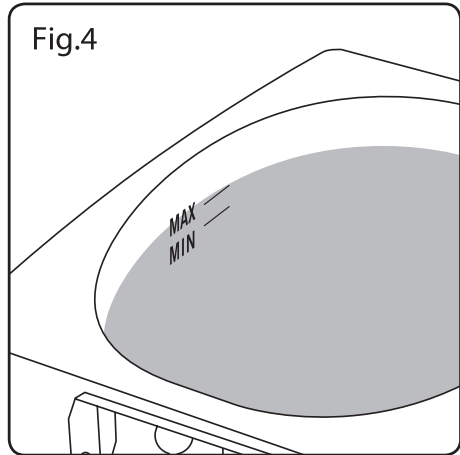
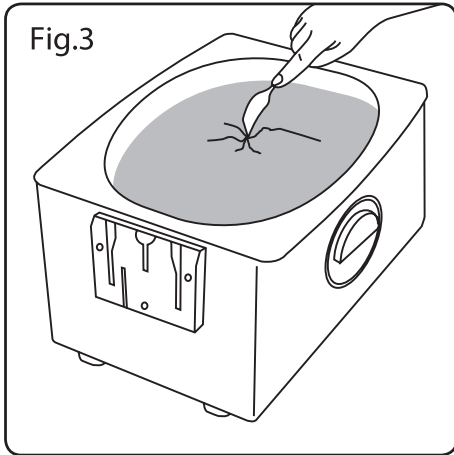
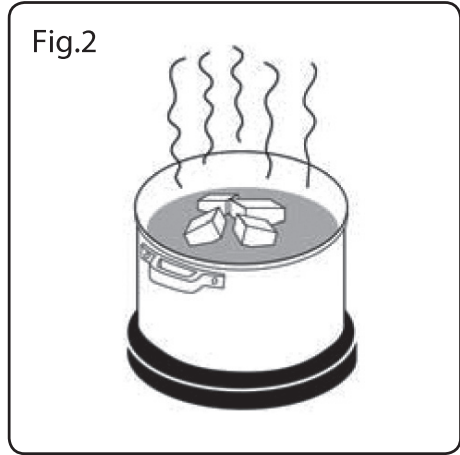
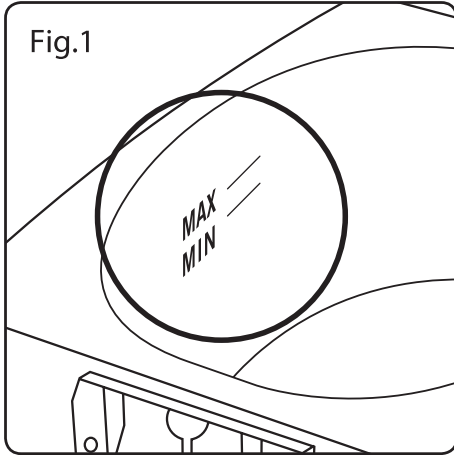
2 YEAR
WARRANTY

Model:
973952

PLEASE READ ALL INSTRUCTIONS BEFORE USE







ENGLISH MANUAL

Dear customer,

Many thanks for choosing to purchase a TAURUS brand product. Thanks to its technology, design and operation and the fact that it exceeds the strictest quality standards, a fully satisfactory use and long product life can be assured.

Description

- A - Lid
- B - Handle lid/ratchet spin button
- C - Indicator lamp
- D - Carry handles
- E - Heating element
- F - Basket
- G - Support for the basket
- H - Handle basket
- I - Tank
- J - Level indicators
- K - Body
- L - Rearm button
- M - Cable storage
- N - Bevel profiles
- O - Mains connection
- P - Control unit support
- Q - Temperature regulator

- Read these instructions carefully before switching on the appliance and keep them for future reference. Failure to follow and observe these instructions could lead to an accident.
- Clean all the parts of the product that will be in contact with food, as indicated in the cleaning section, before use.

Safety advice and warnings

- This appliance is only for domestic use, not for industrial or professional use. It is not intended to be used by guests in hospitality environments such as bed and breakfast, hotels, motels, and other types of residential environments, even in farm houses, areas of the kitchen staff in shops, offices and other work environments.
- This appliance shall not be used by children aged less than 8 years.
- This appliance can be used by children aged from 8 years and above if they are continuously supervised.
- This appliance can be used by people with reduced physical, sensory or mental capabilities or lack of experience and knowledge if they have been given supervision or instruction concerning use of the appliance in a safe way and understand the hazards involved.
- Keep the appliance and its cord out of reach of children aged less than 8 years.
- Cleaning and user maintenance shall not be made by children.
- This appliance is not a toy. Children should be supervised to ensure that they do not play with the appliance.
- Place the appliance on a horizontal, flat and stable surface with the handles, if any, positioned to avoid spillage of the hot liquids.
- Do not use the appliance in association with a programmer, timer or other device that automatically switches it on.

- The temperature of the accessible surfaces may be high when the appliance is in use.
- Never submerge the appliance in water or any other liquid or place it under running water.
- If the connection to the mains has been damaged, it must be replaced, take the appliance to an authorised technical support service. Do not attempt to disassemble or repair the appliance by yourself in order to avoid a hazard.
- Ensure that the voltage indicated on the rating label matches the mains voltage before plugging in the appliance.
- Connect the appliance to a base with an earth socket withstanding a minimum of 10 amperes.
- The appliance's plug must fit into the mains socket properly. Do not alter the plug. Do not use plug adaptors.
- Do not force the power cord. Never use the power cord to lift up, carry or unplug the appliance.
- Do not wrap the power cord around the appliance.
- Do not clip or crease the power cord.
- Do not allow the power cord to come into contact with the appliance's hot surfaces.
- Check the state of the power cord. Damaged or tangled cables increase the risk of electric shock.
- Do not touch the plug with wet hands.
- Do not use the appliance if the cable or plug is damaged.
- If any of the appliance casings breaks, immediately disconnect the appliance from the mains to prevent the possibility of an electric shock.
- Do not use the appliance if it has fallen on the floor, if there are visible signs of damage or if it has a leak.
- Place the appliance on a horizontal, flat, stable surface, suitable for withstanding high temperatures and away from other heat sources and contact with water.
- Keep the appliance away from flammable material such as textiles, cardboard or paper, etc.
- Do not touch the heated parts of the appliance, as it may cause serious burns.

Use and care:

- Fully unroll the appliance's power cable before each use.
- Never connect the appliance without having first of all filled the oil bowl.
- Do not move the appliance whilst in operation or if the oil is still hot. Once cooled, transport the appliance using the handles.
- Use the appliance handle/s, to catch it or move it.
- Do not fry food under the appliance, without attending to it.
- Respect the MAX and MIN levels. (Fig.1)
- Disconnect the appliance from the mains when not in use and before undertaking any cleaning task.
- This appliance should be stored out of reach of children and/or the disabled.
- Do not store or transport the appliance if it is still hot.

- Never leave the appliance unattended while in use.
- Never leave the appliance unattended when in use and keep out of the reach of children, as this is an electrical appliance that heats oil to high temperatures and may cause serious burns.
- Use only utensils appropriate to support high temperatures.
- If fat is used instead of oil, melt first in a separate recipient (Fig.2)
- If fat has hardened in the pan, make a few holes in the solid fat in order to allow the water, which has been retained in the fat to be released as steam when heated at the minimum thermostat temperature (Fig.3)
- If, for some reason, the oil were to catch fire, disconnect the appliance from the mains and smother the fire using the lid, a cover or a large kitchen cloth.
NEVER WITH WATER.
- Turn the thermostat control to the minimum (MIN) setting. This does not mean that the appliance is switched off permanently.
- Any misuse or failure to follow the instructions for use renders the guarantee and the manufacturer's liability null and void.

Instructions for use

Before use:

- Make sure that all the product's packaging has been removed.
- Before using the product for the first time, clean the parts that will come into contact with food in the manner described in the cleaning section.

Oil filling:

- Open the cover
- Ensure that the electrical equipment is appropriately positioned.
- Pour oil up to the mark indicating the **MAXIMUM** level on the bowl (Fig.4).
- The appliance must not be used with less oil than that indicated by the **MINIMAL** mark.

Use:

- Unroll the cable completely before plugging it in.
- Take off the lid.
- This fryer is not designed to fry with the lid on.
- Remove the basket and attach the handle by inserting it until the rods engage in the housing.
- Connect the appliance to the mains.
- Turn the appliance on by turning the select knob
- The connection pilot light will come on.
- Select the desired frying temperature using the thermostat control. The indicator light will turn on indicating that the oil is being heated.
- Prepare the food to be fried and place it in the basket, making sure that it does not rise above $\frac{3}{4}$ of its capacity. Allow the food to drain before placing it in the basket.
- Frozen food must be allowed for thaw beforehand. The placing of frozen food or food with high water content in the basket may cause the oil to suddenly spit after a few seconds.
- Wait until the blue pilot light has gone out which will indicate that the appliance has reached an adequate temperature.

- During the appliance's use the blue pilot light will come on and off automatically, indicating the heating elements are working, and therefore maintaining the desired temperature.
- Slowly place the basket in the bowl to avoid overflowing and splashing.
- During the frying, never put the lid on the appliance. The lid has to put only for the spin function.
- When the food has been fried sufficiently, lift the basket and position it in the support in order to allow the excess oil to drain from the food.
- Empty the basket.
- Change the oil approximately every 15 or 20 frying operations, or every 5 – 6 months if not used frequently.
- In order to minimize the generation of acrilamida during the frying process, avoid to reach dark brown colours on the fried food, remove any burnt leftovers from the oil container, food rich in starch (such as potatoes or corns) should not be fried at temperatures higher to 170°C.

Spin function:

- This fryer has spin function to remove the oil excess from the food.
- That function has be done once the food has been fried to
- In order to start the spin function, you will have to follow the below step:
 - 1) When frying is done, raise the basket to its limits.
 - 2) Put the lid on the appliance.
 - 3) Turn the ratchet spin button which is on the lid from the left to the right
 - 4) the basket will begin to spin

Once you have finished using the appliance:

- Select the minimum position (MIN) using the thermostat control.
- Unplug the appliance from the mains.
- Put the cable back in the cable housing.
- Place the basket in the bowl.
- The basket handle can be left fixed or folded towards the basket by pressing the bar to the side and turning it.
- Put the lid on the appliance.

Cable compartment

- This appliance has a cable compartment situated on its underside.

Carry handles:

- This appliance has a handle on the side of the body, which facilitates comfortable transport .

Practical recommendations:

- Fry a few pieces of bread to remove the smell of used oil.
- For food with a high water content, it is better and quicker to fry in two lots with less food than in just one. This will reduce the risk of splashes and spillage.
- The "two-stage frying method" can be used for an even and crispy coating.
- This system consists of first frying the food until it is reasonably well done and then frying again using very hot oil to brown the food.
- Olive oil with a minimum acidity level is

recommendable for frying.

- Do not mix different oils.
- Wash potatoes before frying to stop them from sticking

Safety thermal protector:

- The appliance has a safety device, which protects the appliance from overheating.
- In the event of overheating, the thermal safety mechanism will be activated
- and the appliance will stop operating. When this occurs the appliance should be disconnected from the mains and left to cool. Then press the rearming button, situated at the back of the electrical circuit, with the tip of a pen or similar in order to reactivate the appliance (Fig.5).

Cleaning

- Disconnect the appliance from the mains and allow it to cool before undertaking any cleaning task.
- Disassemble the appliance in accordance with the following steps:
Remove the lid
Remove the basket and take out the electrical equipment
Remove the bowl .
- Carefully pour the used oil from the bowl into a container (not the sink), according to the regulations in force for the treatment and disposal of waste.
Turn the body of the fryer and dismount the connection from the mains pressing on the clip and pulling outwards. Unplug the mains cable from the its housing and separate from the fryer.
- Except for the power unit and the mains connection, all the parts can be cleaned with detergent and water or in washing up liquid. Rinse thoroughly to remove all traces of detergent.
- Clean the electrical equipment and the mains connection with a damp cloth and dry. **DO NOT IMMERSER IN WATER OR ANY OTHER LIQUID.**
- Clean the equipment with a damp cloth with a few drops of washing-up liquid and then dry.
- Do not use solvents, or products with an acid or base pH such as bleach, or abrasive products, for cleaning the appliance.
- It is advisable to clean the appliance regularly and remove any food remains.
- The following pieces may be washed in a dishwasher (using a soft cleaning program):
 - Basket
 - Tank
- The draining/drying position of the articles washable in the dishwasher or in the sink must allow the water to drain away easily.
- Then dry all parts before its assembly and storage.

Anomalies and repair

- Take the appliance to an authorised technical support service if product is damaged or other problems arise. Do not attempt to disassemble or repair the appliance yourself as this may be dangerous. For EU product versions and/or in case that it is requested in your country:

Ecology and recyclability of the product

- The materials of which the packaging of this appliance consists are included in a collection, classification and recycling system. Should you wish to dispose of them, use the appropriate public recycling bins for each type of material.
- The product does not contain concentrations of substances that could be considered harmful to the environment.



- This symbol means that in case you wish to dispose of the product once its working life has ended, take it to an authorised waste agent for the selective collection of waste electrical and electronic equipment (WEEE)

This appliance complies with Directive 2006/95/EC on Low Voltage, Directive 2004/108/EC on Electromagnetic Compatibility, Directive 2011/65/EC on the restrictions of the use of certain hazardous substances in electrical and electronic equipment and Directive 2009/125/EC on the ecodesign requirements for energy-related products.

AFRIKAANS HANDLEIDING

Geagte kliënt,

Dankie vir jou keuse om 'n Taurus handelsmerk produk te koop. Danksy die tegnologie, ontwerp en bedryf en die feit dat dit meer is as die strengste gehalte standaarde oorskry, kan 'n ten volle bevredigende gebruik en n langdurige produklewe verseker, word.

Beskrywing

A 'n Deksel
B Tanddraaiknoppie
C Wysliggie
D Dra handvatsels
E Verhittingselement
F Mandjie
G Ondersteuning vir die mandjie
H Hanteermandjie
I Tenk
J Vlaakaanwysers
K Liggaam
L Herbewapen knoppie
M Kabelstoor
N Skuinsprofiel
O Hoof toevoer
P Beheer-eenheidsteun
Q Temperatuur reguleerder

- Lees hierdie instruksies aandagtig deur voordat jy die toestel aanskakel, en hou dit vir toekomstige verwysing. Versuim om hierdie instruksies te volg kan lei tot 'n ongeluk.
- Maak al die dele van die produk wat in aanraking met kos sal wees skoon, soos aangedui in die skoonmaak afdeling, voor gebruik.

Veiligheidsraad en waarskuwings

- Hierdie toestel is slegs vir huishoudelike gebruik, nie vir nywerheids- of professionele gebruik nie. Dit is nie bedoel om te gebruik word deur gaste in gasvryheidsomgewings soos bed en ontbyt, hotelle, motelle, en ander vorme van residensiële omgewings, selfs in plaashuise, areas van die kombuis personeel in winkels, kantore en ander werkomgewing nie.
- Hierdie toestel moet nooit gebruik word deur kinders onder die ouderdom van 8 jaar nie.
- Hierdie toestel kan deur kinders gebruik word tussen die ouderdomme van 8 jaar en ouer as hulle voortdurend onder toesig is.
- Hierdie toestel kan deur mense gebruik word met 'n verminderde fisiese, sensoriese of geestelike vermoëns of gebrek aan ervaring en kennis as hulle geleer is aangaande die gebruik van die toestel op 'n veilige manier en die gevare, daarvan verstaan.
- Hou die apparaat en die koord buite die bereik van kinders onder die ouderdom van 8 jaar.
- Die skoonmaak en gebruikers onderhoud sal nie deur kinders, gedoen word nie.
- Hierdie toestel is nie 'n speelgoed nie. Kinders moet onder toesig wees om te verseker dat hulle nie speel nie.
- Plaas die toestel op 'n horisontale, plat en stabiele oppervlak met die handvatsels na binne daarmee, indien enige bo geposisioneer om die storting van warm vloeistowwe te vermy.
- Moenie die toestel gebruik saam met 'n programmeerder, tydhoër of ander toestel wat dit outomaties sal aanskakel nie.
- Die temperatuur van die toeganklike oppervlaktes kan hoog wees wanneer die toestel in gebruik is.
- Moet nooit die toestel in water dompel of enige ander vloeistof of dit onder lopende water plaas nie
- As die kord na die hoofleiding beskadig is, moet dit vervang word, neem die toestel na 'n gemagtigde tegniese ondersteuningsdiens. Moenie probeer om self die toestel uitmekaar te haal of te herstel om gevaar te vermy.
- Maak seker dat die spanning op die gradering etiket pas by die hoofleiding spanning jy die toestel inprop
- Skakel die toestel aan 'n basis met 'n geaarde sok wat n minimum van ten minste ampère kan weerstaan
- Die toestel se prop moet behoorlik in die hoofleiding sok pas. Moenie die prop verander nie. Moenie sok adapeerders gebruik nie.
- Moenie die kragkoord dwing nie. Moenie die kragkoord gebruik om die toestel op te tel te ontkoppel of te dra nie.
- Moet nie die kragkoord gebruik om die toestel te draai nie.
- Moenie die kragkoord knip of knak nie
- Moet nie toelaat dat die kragkoord in kontak met die toestel se warm oppervlaktes kom nie.
- Gaan die toestand van die kragkoord na. Beskadig of verstrengelde kables verhoog die risiko van elektriese skok.

- Moenie die prop met nat hande aanraak nie.
- Moenie die toestel gebruik as die kabel of prop beskadig is nie.
- Indien enige van die toestel se omhulsels breek, ontkoppel onmiddellik die toestel uit die hoofleiding om die moontlikheid van 'n elektriese skok te voorkom.
- Moenie die toestel gebruik as dit op die vloer geval het nie en indien daar sigbare tekens van beskadig of as dit 'n lek het
- Plaas die toestel op 'n horisontale, plat, stabiele oppervlak, wat geskik is vir hoë temperature en weg van ander hittebronne en kontakmet water.
- Hou die toestel weg van vlambare materiaal soos tekstiele, karton of papier, ens.
- Moet nie raak die verhitte dele van die toestel, omdat dit kan lei tot ernstige brandwonde.

Gebruik en versorging:

- Rol die kragkabel van die apparaat ten volle af voor elke gebruik.
- Moet nooit die toestel aanskakel sonder dat die oliebak eers gevul is nie.
- Moenie die toestel in werking beweeg of indien die olie steeds warm is nie. Sodra afgekoel, vervoer dan die toestel met behulp van die handvatsels.
- Gebruik die toestel handvatset / s, om dit te vang of dit te beweeg.
- Moet nie voedsel onder die toestel braai, sonder om aandag daaraan te gee nie.
- Neem die MAX en MIN vlakke in ag (Fig.1).
- Ontkoppel die toestel uit die hoofleiding wanneer dit nie in gebruik is nie en voordat enige skoonmaak taak onderneem word.
- Hierdie toestel moet gestoor moet word buite die bereik van kinders en / of gestremdes.
- Moet nie die toestel stoor of vervoer as dit nog warm is nie.
- Moet nooit die toestel sonder toesig laat terwyl dit in gebruik is nie.
- Moet nooit die toestel sonder toesig laat wanneer dit in gebruik is nie en hou dit buite bereik van kinders, want dit is 'n elektriese toestel wat olie tot hoë temperature verhit en kan ernstige brandwonde veroorsaak.
- Gebruik gereedskap slegs geskik om hoë temperature te weerstaan.
- As vet gebruik in plaas van olie, smelt dit eers in 'n aparte houër (Fig.2).
- As vet verhard in die pan, maak 'n paar gate in die soliede vet om die water, wat in die vet behou is as stoom vry te stel wanneer verhit by die minimum termostaat temperatuur (Fig.3).
- As om een of ander rede, die olie vlam vat, ontkoppel die toestel uit die hoofleiding en versmoor die brand met behulp van die deksel, 'n huisel of 'n groot kombuisdoek. NOOIT met water nie.
- Draai die termostaatbeheer na die minimum (MIN) stelling. Dit beteken nie dat die toestel permanent afgeskakel is nie
- Enige misbruik of versuim om die instruksies te volg vir gebruik maak die waarborg en die vervaardiger se aanspreeklikheid nietig.

Instruksies vir die gebruik

Voor gebruik:

- Maak seker dat al die produk se verpakking verwyder is.
- Voor die gebruik van die produk vir die eerste keer, maak al die dele wat in kontak sal kom met kos op die wyse beskryf in die skoonmaak afdeling skoon.

Om met die te vul:

- Maak die dekking oop
- Maak seker dat die elektriese toerusting behoorlik geposisioneer is.
- Gooi olie tot op die punt wat die maksimum vlak op die bak (fig.4) aandui.
- Die toestel moet nie gebruik word met minder olie as die wat deur die Minimum vlak aandui word nie

Gebruik:

- Rol die kabel heeltemal af voor jy dit inprop
- Haal die deksel af.
- Die braaier is nie ontwerp met die deksel op te braai nie.
- Verwyder die mandjie en heg die handvatsel deur dit totdat die staffies in die behuising klik.
- Skakel die toestel aan die hoofleiding.
- Sluit die toestel aan deur die draai van die kiesknoppie.
- Die wysliggie sal aankom.
- Kies die gewenste braai temperatuur met behulp van die termostaat beheer. Die wyslig sal aankom wat aandui dat die olie verhit word.
- Berei die kos wat gebraai moet word en plaas dit in die mandjie, om seker te maak dat dit nie bo $\frac{3}{4}$ van sy kapasiteit styg nie. Laat die kos dreineer voordat dit in die mandjie gesit word.
- Bevrore voedsel moet toegelaat word om vooraf ontdooi. Die plasing van bevrore kos of kos met 'n hoë water-inhoud in die mandjie kan veroorsaak dat die olie te skielik spat na 'n paar sekondes het.
- Wag totdat die blou wysliggie uitgegaan wat sal aandui dat die toestel 'n voldoende temperatuur bereik het.
- Tydens die toestel se gebruik sal die blou wysliggie outomaties aan en af gaan, wat aandui dat die elemente werk, en dus die handhawing van die gewenste temperatuur volhou.
- Plaas die mandjie stadig in die bak om te vermy dat dit oorloop of spat.
- Moet nooit die deksel op die toestel sit as dit braai nie. Die deksel word net vir die spinfunksie opgesit.
- Wanneer die kos genoeg gebraai is, lig die mandjie op en posisioneer dit in die ondersteunbak om te verseker dat die oortollige olie uit die kos dreineer.
- Maak die mandjie leeg.
- Verander die olie ongeveer elke 15 of 20 braai gebruike, of elke 5 – 6 maande, indien dit nie dikwels gebruik word nie.
- Ten einde die opwekking van acrilamida tydens die braaiproses te verminder, vermy dat kos donker bruin kleure bereik, verwyder enige gebrande oorskiet uit die olie houër, kos ryk aan stysel (soos aartappels of graan) moet nie gebraai word by temperature hoër as 170°C nie.

Spin funksie:

- Hierdie braaier het 'n spin funksie om die olie oorskot van die kos te verwyder.
- Die funksie moet gedoen word sodra die kos gebraai is.
- Ontkoppel die toestel uit die hoofleiding.
- Om die spinfunksie te begin, sal jy die onderstaande stappe moet volg:
 - 1) Wanneer de braai gedoen is, verhoog die mandjie na sy beperkings.
 - 2) Sit die deksel op die toestel.
 - 3) Draai die rat spinknoppie wat op die deksel is van links na regs.
 - 4) Die mandjie sal begin om te draai.
- **Waarskuwing:** Moenie die deksel verwyder terwyl die mandjie draai nie. Verwyder die deksel versigtig om toevallige kontak te verhoed dat moontlike oorskiet warm olie wat in sy boonste deel kan oorbly, jou brand.
- Kies die minimum posisie (MIN) met behulp van die termostaat beheer.
- Kry die toestel uit die hoofleiding.
- Plaas die kabel terug in die kabelbehuising.
- Plaas die mandjie in die bak.
- Die mandjie handvatsel kan gelaat word gevou na die mandjie deur te druk op die staaf aan die kant en draai dit, dan sit die deksel op die toestel.

Kabel kompartement

Hierdie toestel het 'n kabel kompartement geleë aan die onderkant.

Dra handvatsels:

Hierdie toestel het 'n handvatsel aan die kant van die hoofdeel, wat fasiliteer gemaklike vervoer aanhelp.

Praktiese aanbevelings:

- Braai 'n paar stukkies brood om die reuk van gebruikte olie te verwyder.
- Vir kos met 'n hoë water inhoud, dit is beter en vinniger te braai in twee klompies met minder kos as in net een. Dit sal die risiko van spat en storting verminder.
- Die "twee-stadium braai metode" kan gebruik word vir 'n eweredige en bros laag. Hierdie stelsel bestaan uit die eerste braai van kos totdat dit redelik goed gaar is en dan weer braai met behulp van baie warm olie tot bruin.
- Olie met 'n minimum suur vlak word vir braai aanbeveel.
- Moenie verskillende olies meng nie.
- Was aartappels voor braai sodat dit nie vas brand nie.

Veiligheid termiese beskerm:

- Die toestel het 'n veiligheid-apparaat, wat die toestel beskerm teen oorverhitting.
- In die geval van oorverhitting, sal die hitte veiligheid meganisme geaktiveer word en die toestel sal ophou werk. Wanneer dit gebeur moet die toestel ontkoppel word van die hoofleiding en gelaat word om af te koel. Druk dan die herbewapen knoppie, geleë aan die agterkant van die elektriese stroombaan, met die punt van 'n pen of iets soortgelyk in om die

program (Fig.5) te aktiveer.

- Ontkoppel die toestel uit die hoofleiding en laat dit afkoel voor enige skoonmaak taak onderneem word.
- Haal die toestel uitmekaar in ooreenstemming met die volgende stappe.
- Verwyder die deksel. Verwyder die mandjie en neem uit die elektriese toerusting.
- Verwyder die bak.
- Gooi die gebruikte olie versigtig uit die bak in 'n houër (nie die wasbak), volgens die regulasies van krag vir die behandeling en verwydering van afval.
- Draai die hoofdeel van die braaier en demonteer die verbinding van die hoofleiding op en druk op die knip en trek na buite. Kry die hoofleiding kabel van die kant behuising en neem dit weg van die diepbraaier.
- Behalwe vir die krag-eenheid en die hoofleiding verbinding, kan al die dele skoongemaak word met seep en water of met reinigings vloeistof. Spoel deeglik af om spore van seep te verwyder.
- Maak die elektriese toerusting en die hoofleiding met 'n klam lap skoon en droog af. **MOENIE in water of enige ander vloeistof dompel nie.**
- Maak die toerusting met 'n klam lap met 'n paar druppels opwasmiddel skoon en droog af.
- Moet nie oplosmiddels, of produkte met 'n suur of basis pH soos bleikmiddel, of skuur produkte, vir die skoonmaak van die toestel gebruik nie.
- Dit is raadsaam om gereeld die toestel skoon te maak en enige kos oorblyfsels te verwyder.
- Die volgende stukke kan gewas word in 'n skottelgoedwasser (met behulp van 'n sagte skoonmaak **program**):
 - Mandjie
 - Tenk

- Die dreinerings / droog posisie van die artikels wasbaar in die skottelgoedwasser of in die wasbak moet toelaat dat die water maklik kan weg dreineer.
- Droog dan al die dele voor die samestelling en storting daarvan.

Onreëlmatighede en herstel

Neem die toestel na 'n gemagtigde tegniese ondersteuning diens indien die produk beskadig is of ander probleme ontstaan. Moenie probeer om self die toerusting te herstel of uitmekaar te haal nie aangesien dit gevaarlik kan wees.

Ekologie en Herwinbaarheid van die produk:

- Die materiale waarvan hierdie produk se verpakking vervaardig is, is ingesluit in 'n versameling, samestelling en klassifikasie en 'n herwinbare stelsel. Sou jy daarvan ontslae wou raak, gebruik die toepaslike openbare herwinningshouers vir elke soort materiaal.
- Die produk bevat geen konsentrasies middels wat as nadelig vir die omgewing beskou kan word nie.



- Hierdie simbool beteken dat in die geval wat jy wil ontslae raak van die produk sodra sy werkende lewe geëindig het, neem dit na 'n gemagtigde afval agent vir die selektiewe versameling van afval elektriese en elektroniese toerusting (AEEA)

Dit toestel voldoen aan Riglyn 2006/95/EG op Lae Spanning en Riglyn 2004/108/EG op Elektromagnetiese Versoenbaarheid.

taurus

**2 YEAR
WARRANTY**

**1 YEAR RETAIL
+1 YEAR EXTENDED**

taurusappliances.co.za
Register Online

Thank you for purchasing a Taurus product. Taurus guarantees that your product has been thoroughly inspected and tested before being dispatched and is free from mechanical and electrical defects and complies with the applicable safety standards. With every Taurus product purchased you get a 2 year warranty as detailed in the terms and conditions below.

First Year – 1 Year Retail Warranty:

Should defects due to faulty parts or workmanship develop, under normal domestic use, within 12 months from the original date of purchase please return the product to the store from where it was purchased for a refund or replacement.

Second Year – 1 Year Extended Warranty

Taurus takes pride in their product quality and therefore offer an extended 12 month warranty over and above the 1 Year Retail Warranty. Should defects due to faulty material or workmanship develop, under normal domestic use, after the 12 month period and within 24 months from the original date of purchase, please return the product postage pre-paid to Taurus for repair. Taurus will repair the product free of charge and return it to you directly. Taurus will replace a product with a similar product in the same or better condition, if the repair cannot be conducted for whatever reason. NB: The 1 Year Extended Warranty is only valid for customers who have registered their warranty online at www.taurusappliances.co.za within the first year after making their purchase. See overleaf for details and instructions.

Before returning your product, check the following:

- Your household mains supply socket is in good condition, working and switched on.
- The mains supply circuit is not overloaded (White trip switch on your DB board is off).
- You have read the trouble shooting guide in your Instructions for Use.
- All accessories and parts are present.

The following conditions apply:

1. Please ensure you retain your receipt as this must be presented when making a claim under the terms of the guarantee. It is impossible to determine the guarantee period without proof of purchase, so please keep this in a safe place. (NB. Your guarantee can be scanned onto the Taurus web site for safe storage – see reverse side for details.)
2. If a refund or exchange is required the product must be complete with all accessories, parts and packaging. Missing parts will render the guarantee void.
3. Upon receipt of your appliance, check it for any transport damage to ensure it is safe for use. Return it to the store as soon as possible for exchange if damaged. The guarantee is void if products are damaged after

use, so please do not use the damaged product.

4. Your product is designed for normal domestic household use. Failure to read and comply with the instructions for use, cleaning and maintenance will render your guarantee void, so please read these instructions carefully to ensure your safety, and to get the most effective use from the product. (e.g. not removing lime scale; water deposits; insect infestation, and/or burnt products)
5. Any abuse, negligent, improper or accidental use or care will render the guarantee void and Creative Housewares (Pty) Ltd will not be liable for any loss or damage.
6. Any attempted repair, or replacement of unauthorised parts will render the guarantee void, so please contact an authorised service centre or service agent for any service or repair requirements.
7. NB: The guarantee on replaced products will be from the original date of purchase and not from when the date replacement was made.
8. All repairs carry a 3 month guarantee even if this falls outside of the 2 year guarantee period.
9. Taurus will attempt to conduct repairs within reasonable time in line with industry standards but cannot be held responsible or liable for any circumstances not under our control.

Repairs Out of the Warranty Period

If service or repair becomes necessary outside the warranty period, this service is still available however all transport/postage, spares and labour costs will be for the customers' account. All chargeable repairs will require the customers' written acceptance of the quote. Once the go-ahead has been received Taurus will undertake to conduct the repair within a reasonable time and maintain the condition of the product as received. All repairs are guaranteed for 3 months from the date of the repair.

For any service, enquiries and complaints please contact our Customer Care on 086 111 5006 or e-mail help@creativehousewares.co.za from 08h00 to 15h00 Monday to Friday excluding public holidays. Please also note that the company is normally closed for 2 weeks around Christmas and New Year.

Please send all products for repair postage pre-paid to one of the service centres listed on the back of this page.

ONLINE WARRANTY REGISTRATION

Why register your warranty?

We at Taurus pride ourselves on bringing premium quality appliances to market, and as a commitment to this level of quality we offer a 2 year warranty (1 Year Retail + 1 Year Extended) on all of our products. We often hear that our customers lose their receipts and can therefore no longer claim if they have a problem. To take advantage of the 1 Year Extended Warranty you will need to register your warranty online within the first year of purchase in order to make a valid claim. Now you can register your product, upload your warranty online, never have to worry about losing your receipt again and enjoy the benefit of your 2 year warranty.

Added Benefits

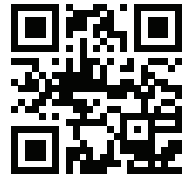
In addition to providing you with an online profile of your registered products we will also provide a host of value added benefits:

- Incentives and Competitions for registered users
- New recipes or ideas for your products
- New product developments – be the first to get the latest appliances
- Special offers on promotional items

How to Register your Online Warranty?

STEP1 Create your user profile:

If you haven't done so already, simply visit www.taurusappliances.co.za, click on the "Product Registration" link and follow the easy instructions. You will receive a username and password once registered. This will give you access to your user profile.



taurusappliances.co.za

STEP2 Pick a registration method:



DESKTOP/ LAPTOP

- Open your internet browser and visit www.taurusappliances.co.za
- Click on the "Registration" link and login using your user name and password.
- Click on "Register your products and upload receipts" and follow the easy instructions.
- Scan and upload your receipt



SMART PHONE/ TABLET

- Scan the QR code above or visit www.taurusappliances.co.za
- Click on the "Registration" link and login using your user name and password.
- Click on "Register your products and upload receipts" and follow the easy instructions.
- Scan or take a photo and upload your receipt.



FAX

- Fax the following to 021 931 4058
- First Name and Surname
- Contact telephone and fax number.
- Product Model number and Type.
- Traceability Code (found on the Warranty Card or on a label on the product)
- A clear and legible copy of your receipt.

Notes:

1. The online warranty system is a safe storage facility for your receipt.
2. You will be required to register on the Taurus website. You will receive a username and password once registered. This will give you access to your profile.
3. From your profile you will be able to load products that you have purchased. In order to successfully register your warranty you will need to either scan and upload, or fax through your receipt to us.
4. All instructions on how to load your products are available

inside your profile.

5. Please note that you must check that your receipt has been uploaded correctly. Creative Housewares cannot be held responsible for faxes or files not received.

6. For assistance with registration please email: marketing@creativehousewares.co.za.

NB: Your 1 year extended warranty is only valid if your product is registered online within the first year after purchasing your Taurus product. Failure to register your product on-line within the first year will render the extended warranty as void.

creative housewares

National Service Centre: 086 111 5006
e-mail: help@creativehousewares.co.za
www.creativehousewares.co.za

Cape Town

20 Tekstiel Street, Parow, Cape Town, 7493,
South Africa • P.O. Box 6156 Parow East, 7501,
South Africa Tel: +27 21 931 8117
Fax: +27 21 931 4058

Durban

35 Adrian Road, Windermere,
Durban, South Africa, 4001
Tel: +27 31 303 3465
Fax: +27 31 303 8259

Johannesburg

9 Hamburg Road, Airport, Spartan,
Johannesburg, South Africa
Tel: +27 11 392 5652
Fax: 086 567 9222

taurus

**2 JAAR
WAARBORG**
1 JAAR KLEINHANDELS
+1 JAAR UITGEBREID

taurusappliances.co.za
Registreer Aanlyn

Dankie vir die aankoop van 'n Taurus produk. Taurus waarborg dat u produk deeglik geïnspekteer en getoets word voordat dit versend word en is vry van meganiese en elektriese gebreke en voldoen aan die toepasslike veiligheidsstandaarde. Met elke Taurus produk wat gekoop word kry u 'n 2 jaar waarborg soos uiteengesit in die terme en voorwaardes hieronder.

Eerste Jaar - 1 Jaar Kleinhandelswaarborg:

Indien defekte as gevolg van foutiewe onderdele of vakmanskap binne 12 maande onder normale huishoudelike gebruik ontwikkel, binne die 12 maande vanaf die oorspronklike datum van aankoop, neem asseblief die produk na die winkel van waar dit gekoop is vir 'n terugbetaling of vervanging.

Tweede Jaar - 1 Jaar Uitgebreide Waarborg

Taurus is trots op die kwaliteit van die produk en bied dus 'n uitgebreide 12 maande waarborg bo en behalwe die 1 Jaar kleinhandelswaarborg. Indien defekte as gevolg van foutiewe materiaal of vakmanskap ontwikkel, onder normale huishoudelike gebruik, na die 12 maande tydperk en binne 24 maande vanaf die oorspronklike datum van aankoop, stuur die produk terug met posgeld betaal na Taurus vir herstel. Taurus sal die produk gratis herstel en dit direk aan u terugstuur. Taurus sal die produk vervang met 'n soortgelyke produk in dieselfde of beter toestand, as die herstel nie uitgevoer kan word vir watter rede ookal nie.

NB: Die 1 Jaar Uitgebreide waarborg is slegs geldig vir kliënte wat hul waarborg geregistreer het op ons webtuiste by www.taurusappliances.co.za binne die eerste jaar nadat hulle dit aangekoop het. Sien keersy vir besonderhede en instruksies.

Voordat u die produk terug stuur, maak seker van die volgende:

- U huishoudelike geleidingsok is in 'n goeie toestand, werk en aangeskakel is,
- Die geleidingsok is nie oorlaai nie (Wit uitskop skakelaar op u DB bord af is),
- U het die moeilikheid steuringsgids gelees in u instruksies vir gebruik,
- Alle bykomstighede en dele teenwoordig is.

Die volgende voorwaardes geld:

1. Maak seker dat u kwitansie behoue is, dit moet aangebied word wanneer 'n eis gemaak word onder die voorwaardes van die waarborg. Dit is onmoontlik om die waarborg tydperk te bepaal sonder die bewys van aankoop, so hou dit asseblief in 'n veilige plek. (NB. U waarborg kan opgeskandeer word na die Taurus webtuiste vir veilige bewaring - sien keersy vir meer inligting.)
2. Indien 'n terugbetaling of omruiling van die produk nodig is moet die produk volledig wees met al die bykomstighede, onderdele en verpakking. Toebehore wat weg is sal die waarborg nietig maak.
3. Met ontvangs van u toestel, gaan dit na vir enige vervoer skade om te verseker dat dit veilig is vir gebruik. Stuur dit so gou as moontlik terug na die winkel om die beska-

digde toestel te vervang. Die waarborg is nietig indien die beskadigde produk gebruik word na die tyd, so moet asseblief nie die beskadigde produk gebruik nie.

4. U produk is ontwerp vir normale huishoudelike gebruik. Deur te versuim om die instruksies te lees en te voldoen aan die terme van gebruik, die skoonmaak en instandhouding van die produk maak u waarborg ongeldig, so lees asseblief hierdie instruksies versigtig om u veiligheid te verseker, en om die beste uit die gebruik van die produk te kry. (bv nie die verwydering van kalk skaal; water neerslag; insek besmetting, en / of verbrande produkte)
5. Enige misbruik, nalatige, onbehoorlike of toevallige beskadiging of sorg van die produk word die waarborg nietig en Creative Housewares (Pty) Ltd, sal nie aanspreeklik wees vir enige verlies of skade nie.
6. Enige poging tot herstel, of vervanging met ongemagtigde onderdele sal die waarborg nietig maak, so kontak 'n gemagtigde dienssentrum of diensagent vir enige diens of herstelwerk.
7. NB: Die waarborg op die vervangingsproduk sal by die oorspronklike datum van aankoop bly en nie van die datum wanneer dit vervang is nie.
8. Alle herstelwerk dra 'n 3 maande waarborg selfs al val dit buite die 2-jaar waarborg tydperk.
9. Taurus sal probeer om die herstelwerk te doen binne 'n redelike tyd in lyn met die industrie standaarde, maar kan nie verantwoordelik gehou word of aanspreeklik wees vir enige omstandighede nie onder ons beheer nie.

Herstelwerk buite die waarborg tydperk

As diens of herstelwerk benodig word buite die waarborg tydperk, is hierdie diens steeds beskikbaar, maar is alle vervoer / posgeld, onderdele en arbeidskoste op die kliënte se onkoste. Alle betaalbare herstelwerk sal skriftelike aanvaarding van die kwotasie vereis van die kliënt. So dra Taurus die groen lig ontvang sal ons onderneem om die herstel binne 'n redelike tyd en in dieselfde toestand te hou as wat die produk ontvang is. Alle herstelwerk is gewaarborg vir 3 maande vanaf die datum van die herstel.

Vir enige diens, navrae en klagtes kontak ons kliënte diens op 086 111 5006 of e-pos help@creativehousewares.co.za vanaf 08h00 tot 15h00, Maandag tot Vrydag, openbare vakansiedae uitgesluit. Let asseblief ook daarop dat die maatskappy gewoonlik gesluit is vir 2 weke gedurende Kersfees en Nuwejaar.

Stuur asseblief alle produkte vir herstel met posgeld vooruit betaal aan een van die dienssentrums wat op die agterkant van hierdie bladsy verskyn.

AANLYN WAARBORG REGISTRASIE

Hoekom moet u die waarborg moet registreer?

Ons by Taurus is trots om premium gehalte toestelle op die mark te bring, en as 'n verbintenis tot die vlak van gehalte bied ons 'n 2 jaar waarborg (1 Jaar Kleinhandel + 1 Jaar Uitgebreide) op al ons produkte. Ons hoor dikwels dat ons kliënte hul kwitansies verloor en kan dus nie meer eis as hulle 'n probleem het nie. Om voordeel te trek van die 1 Jaar Uitgebreide waarborg sal u nodig hê om u waarborg aanlyn te registreer binne die eerste jaar van aankoop om 'n geldige eis te maak. Nou kan u die produk aanlyn registreer, laai u waarborg en hoef u nooit te bekommer dat u die kwitansie sal verloor nie en die voordeel van u 2-jaar waarborg geniet.

Bygevoegde Voordele

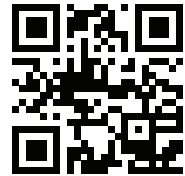
Bykomend tot die verskaffing van 'n aanlyn profiel van u geregistreerde produkte bied ons ook vele ander toegevoegde waarde voordele:

- aansporings en kompetisies vir geregistreerde gebruikers
- nuwe resepte of idees vir u produkte
- nuwe produk ontwikkelings - die eerste wees om die nuutste toestelle te kry
- spesiale aanbiedings op promosie-items

Hoe om u Aanlyn Waarborg te Registreer?

STAP 1 Skep u gebruikersprofiel:

As u dit nie reeds gedoen het nie, besoek www.taurusappliances.co.za, klik op die "Product Registration" skakel en volg die maklike instruksies. U sal 'n gebruikersnaam en wagwoord ontvang sodra u geregistreer het. Dit sal u toegang tot u profiel gee.



taurusappliances.co.za

STAP 2 Kies 'n registrasie metode:



REKENAAR/ SKOOTREK- ENAAR

- Maak u internet snuffelgids oop en besoek www.taurusappliances.co.za
- Klik op die "Registrasie" skakel en teken in met u gebruikersnaam en wagwoord.
- Klik op "Register your products" en laai kwitansies en volg die maklike instruksies.
- Skandeer en laai u strokie



SMART- FOON / TABLET

- Skandeer die QR-kode bo of besoek www.taurusappliances.co.za
- Klik op die "Registration" skakel en teken aan met u verbruikersnaam en wagwoord.
- Klik op "Register your products" en laai u kwitansie en volg die maklike instruksies.
- Skandeer of neem 'n foto en laai u strokie.



FAKS

- Faks die volgende na 021 931 4058
- Naam en Van
- Kontak telefoon en faksnommer.
- Produk model nommer en tipe.
- Traceability Code (wat op die
- Waarborgkaart of op 'n etiket op die produk gevind kan word)
- 'n Duidelike en leesbare afskrif van u ontvangs.

Notas:

1. Die aanlyn waarborg stelsel is 'n veilige stoor fasiliteit vir u strokies.
2. U sal gevra word om op die Taurus webtuiste te registreer. U sal 'n gebruikersnaam en wagwoord ontvang. Dit sal u toegang gee tot u profiel.
3. Van u profiel u sal in staat wees om produkte te laai wat u gekoop het. Om u waarborg suksesvol te registreer sal u nodig hê om of te skandeer en oplaai, of faks u strokie deur na ons.
4. Alle instruksies oor hoe om u produkte te laai is beskikbaar binne in u profiel.
5. Let daarop dat u moet seker maak dat u kwitansie korrek op-

gelaai is. Creative Housewares kan nie verantwoordelik gehou word vir fakse of lêers nie ontvang nie.

6. Vir hulp met registrasie e-pos asseblief: marketing@creative-housewares.co.za.

NB: U 1 jaar verlengde waarborg is slegs geldig indien u produk aanlyn geregistreer is binne die eerste jaar na die aankoop van u Taurus produk. Indien u produk nie aanlyn geregistreer word binne die eerste jaar nie sal dit die verlengde waarborg nietig maak.

creative housewares

National Service Centre: 086 111 5006
e-mail: help@creativehousewares.co.za
www.creativehousewares.co.za

Cape Town

20 Tekstiel Street, Parow, Cape Town, 7493,
South Africa • P.O. Box 6156 Parow East, 7501,
South Africa Tel: +27 21 931 8117
Fax: +27 21 931 4058


Durban


35 Adrian Road, Windermere,
Durban, South Africa, 4001
Tel: +27 31 303 3465
Fax: +27 31 303 8259



Johannesburg

9 Hamburg Road, Aeroport, Spartan,
Johannesburg, South Africa
Tel: +27 11 392 5652
Fax: 086 567 9222


creative housewares

 20 Tekstiel St, Parow, Cape Town, 7493, RSA

 P.O. Box 6156 Parow East, 7501, RSA

 +27 21 931 8117  +27 21 931 4058

Service Centre Helpline: 086 111 5006

 www.creativehousewares.co.za