

# taurus



ENGLISH / AFRIKAANS

## SERVIDOR BUFFET SERVER

complies with  
INTERNATIONAL  
IEC60335  
SAFETY SPECIFICATIONS

**t**  
450W

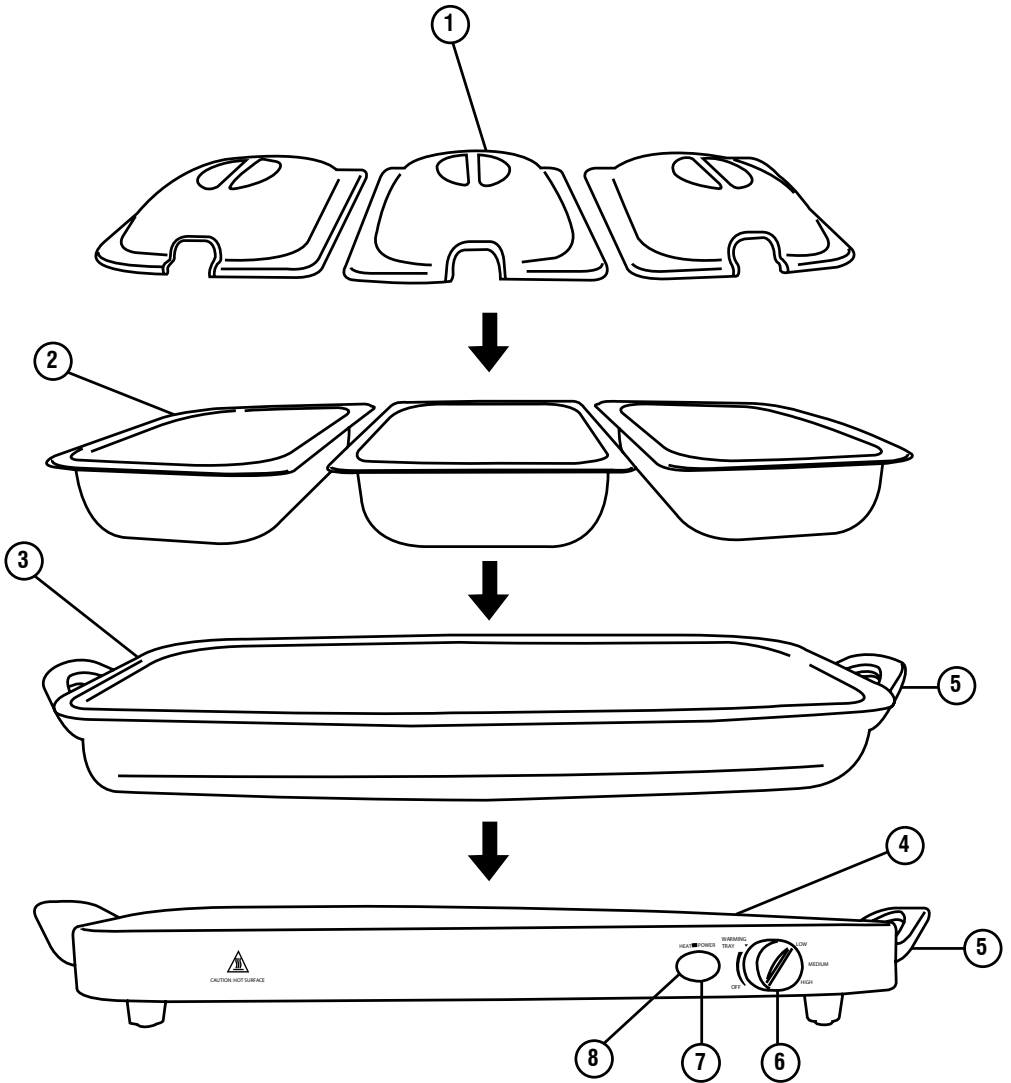
**2 YEAR**  
WARRANTY

Model:  
980300

**PLEASE READ ALL INSTRUCTIONS BEFORE USE**

stainless  
steel





**Parts list and discription**

- 1. Buffet server lids.
- 2. Small buffet server trays.
- 3. Large buffet server tray
- 4. Warming tray

- 5. Handles
- 6. Temperature control knob
- 7. Power indicator light
- 8. Heating indicator light

# ENGLISH MANUAL

## Dear customer,

Many thanks for choosing to purchase a TAURUS brand product.

Thanks to its technology, design and operation and the fact that it exceeds the strictest quality standards, a fully satisfactory use and long product life can be assured.

## IMPORTANT SAFEGUARDS AND WARNINGS!

When using any electrical appliance, basic safety precautions should always be followed including the following:

1. Read the instructions carefully before using any appliance.
2. Always ensure that the voltage on the rating label corresponds to the mains voltage in your home.
3. Incorrect operation and improper use can damage the appliance and cause injury to the user.
4. The appliance is intended for household use only. Commercial use invalids the warranty.
5. Please note this unit get hot during operation!
6. This appliance is only for domestic use, not for industrial or professional use. It is not intended to be used by guests in hospitality environments such as bed and breakfast, hotels, motels, and other types of residential environments, even in farm houses, areas of the kitchen staff in shops, offices and other work environments.
7. This appliance is not intended for use by persons (including children) with reduced physical, sensory or mental capabilities, or lack of experience and knowledge, unless they have been given supervision or instruction concerning use of the appliance by a person responsible for their safety.
8. Check the power cord and plug regularly for any damage. If the cord or the plug is damaged, it must be replaced by the manufacturer or a qualified person in order to avoid an electrical hazard.
9. Do not use the appliance if it has been dropped or damaged in any way. In case of damage, take the unit in for examination and/or repair by an authorised service agent
10. Remove the plug from the socket by gripping the plug. Do not pull on the cord. Always unplug the unit when not in use, before cleaning or when adding or removing parts.
11. The use of accessories that are not recommended or supplied by the manufacturer may result in injuries, fire or electric shock.
12. A short cord is provided to reduce the hazards resulting from becoming entangled in or tripping over a longer cord.
13. Do not let the cord hang over the edge of a table or counter. Ensure that the cord is not in a position where it can be pulled on inadvertently.
14. Do not allow the cord to touch hot surfaces and do not place on or near a hot gas or electric burner or in a heated oven.
15. Do not use the appliance on a gas or electric cooking top or over or near an open flame.
16. To avoid severe burns do not touch hot surfaces while the appliance is in use.
17. Allow the appliance to completely cool down after use before touching any of the surfaces to avoid severe burns.
18. When not in use turn the temperature setting to the

19. "OFF" position and unplug from the outlet. To avoid accidental burning from the contents of the buffet trays or large pan, it is recommended that food and / or liquids only be filled to 2/3 of the buffet tray or large pan capacity.
20. Never carry or move the warming tray with the buffet trays on top. Each individual buffet tray and large pan should be carried separately to avoid accidental burning from hot foods or liquids.
21. To avoid damaging the appliance the buffet server should not be used without food or liquids in the buffet trays or large pan.
22. The use of accessory attachments not recommended by the appliance manufacturer may result in fire, electric shock or injuries and should be avoided.
23. Use of an extension cord with this appliance is not recommended.
24. This appliance is not suitable for outdoor use. Do not use this appliance for anything other than its intended use.
25. DO NOT carry the appliance by the power cord.
26. Do not leave this appliance unattended during use. Always unplug the unit when not in use or before cleaning.
27. Always operate the appliance on a smooth, even, stable surface. Do not place the unit on a hot surface.
28. Turn the appliance "OFF", unplug from the outlet and allow the Warming Tray, Large Pan and Buffet Server to completely cool down before cleaning.
29. To avoid and protect against the risk of electric shock do not immerse any part of the warming tray or power cord in water or other liquids..
30. The manufacturer does not accept responsibility for any damage or injury caused by improper or incorrect use, or for repairs carried out by unauthorised personnel.
31. In case of technical problems, turn off and unplug the buffet server and do not attempt to repair it yourself. Return the appliance to an authorised service facility for examination, adjustment or repair.

Always insist on the use of original spare parts. Failure to comply with the above mentioned precautions and instructions, could affect the safe operation of this appliance.

**Note: BEFORE FIRST USE, FILL EACH TERRINE WITH WATER AND TURN BUFFET SERVER ON FOR 30 MINUTES, DISCARD WATER AND REPEAT. CLEAN THOROUGHLY BEFORE FIRST USE.**

## OPERATING INSTRUCTIONS

### BEGIN USING YOUR BUFFET SERVER

1. With the temperature control setting in the "OFF" position, plug the power cord into a grounded electrical outlet.
2. The Power indicator light is blue. The Temperature light is red and will come on while the unit is heating up to the desired temperature or adjusting to maintain a steady temperature. If the red light is off then the desired temperature setting has been reached.
3. Place pre-heated food into the large pan or each buffet tray as desired.
4. Adjust the temperature setting knob to the desired temperature.
5. Once you are done using the Buffet Server, turn the temperature setting to the "OFF" position.
6. Remove the plug from the wall outlet.

### Important notes:

1. It is important to maintain all cooked foods at a minimum of 60°C over an extended period of time to prevent any food borne illness.
2. It is recommended to periodically check the temperature of the food with a food thermometer while serving.
3. All foods have different consistencies so depending on what you are serving you may have to adjust the temperature lower or higher to maintain a minimum temperature of 60°C.
4. Temperatures may fluctuate as the food is being served and the contents of the large pan and / or buffet trays are emptied.
5. You may adjust the temperature accordingly to avoid over or under heating the prepared food.

### 1. USING THE WARMING TRAY ONLY

- 1.1. With the temperature setting in the "OFF" position, plug the appliance into a grounded outlet.
- 1.2. Do not use the large pan and buffet trays.
- 1.3. Clean and dry the surface thoroughly before use. See Care & Cleaning Instructions in this manual.
- 1.4. Set the temperature control to "Warming Tray".
- 1.5. Place food on the warming tray to keep warm. This is not intended to defrost or cook food.  
**NOTE: Do not place clear dome lids on warming tray surface.**
- 1.6. Food should be left on the warming tray for a shorter period than when the large pan and /or the buffet trays are on top due to the fact that it is not covered. Recommended time is 2-3 hours to avoid drying out of food.
- 1.7. Once you are through using the Warming Tray, turn the temperature setting to the "OFF" position and unplug from the outlet.
- 1.8. Let the appliance completely cool down before cleaning and storage.

### 2. USING THE WARMING TRAY WITH THE LARGE PAN

- 2.1. With the temperature setting in the "OFF" position, plug the appliance into a grounded outlet.
- 2.2. Clean and dry the surface thoroughly before use. See Care & Cleaning Instructions in this manual.
- 2.3. The large pan is oven safe so you can take your dish directly from the oven to the warming tray.
- 2.4. **NOTE: Always use oven mitts when removing the large pan from the oven, as handles will be hot.**
- 2.5. Set the temperature control knob to the desired temperature.
- 2.6. Monitor the temperature of the food regularly to ensure a minimum temperature of 60°C is maintained.
- 2.7. Once you are through using the Warming Tray, turn the temperature setting to the "OFF" position and unplug from the outlet.
- 2.8. Let the appliance completely cool down before cleaning and storage

### 3. USING THE WARMING TRAY WITH THE LARGE PAN & BUFFET TRAY

- 3.1. With the temperature setting in the "OFF" position, plug the appliance into a grounded outlet.
- 3.2. Clean and dry all surfaces thoroughly before use. See Care & Cleaning Instructions in this manual.
- 3.3. Set the temperature control to Medium. **NOTE: It is important to remember when using the buffet trays inside of the large pan the temperature control setting must be on Medium in order to reach the minimum temperature of 140°.**

- 3.4. The Buffet Server can keep food warm for a longer period of time if the lids are used. It is not recommended to exceed 4 hours or food may begin to dry out.
- 3.5. Once you are through using the Warming Tray, turn the temperature setting to the "OFF" position and unplug from the outlet.
- 3.6. Let the appliance completely cool down before cleaning and storage.

### Temperature settings

1. All foods have different consistencies and may require a lower or higher setting to keep the food warm. For example, a higher temperature setting will be required to keep mashed potatoes warm and a lower temperature to keep gravy warm.
2. All warm or hot foods should be maintained at a minimum of 60°C to prevent the risk of food borne illness.
3. Use a food thermometer to monitor the temperature of the food and adjust the temperature control if needed to maintain a minimum of 60°C.
4. It is recommended to periodically check the temperature when serving over a long period of time.
5. Many factors can affect the temperature of food. This unit is designed to reach a minimum temperature (see below) for each setting.

### Warming Tray: 65°C

This setting is used when placing foods directly on the warming tray only. **NOTE: The Temperature ranges below are measured with the large pan and / or buffet trays on top of the warming tray.**

- **Low:** 70°C - This is the minimum setting when the large pan is used on the warming tray
- **Medium:** 76°C - This is the minimum setting when the large pan and buffet trays are used on the warming tray.
- **High:** 80°C - This setting will be used to keep foods at a higher temperature when using the large pan and / or buffet trays. **NOTE: When placing food directly on the warming tray only use the Warming Tray Setting. NOTE: The Low-Medium-High settings are for use with the large pan and/ or buffet trays. The surface temperature of the warming tray will be much hotter than the above temperature ranges in order to transfer heat from the warming tray to the large pan and / or buffet trays. NOTE: Extended use over long periods of time at high temperatures may cause discoloration of the buffet trays and scorching may occur on the warming tray.**

### 4. Helpful Tips

- 4.1. When serving warm or hot foods you can warm the buffet trays in the oven prior to putting food inside to help keep the temperatures higher during initial serving.
- 4.2. You can also use water inside of the large pan when using the buffet trays to distribute the heat more evenly without creating hot spots in the buffet trays.

### 5. CLEANING AND MAINTENANCE

- 5.1. This appliance is for household use only and is not user-serviceable.

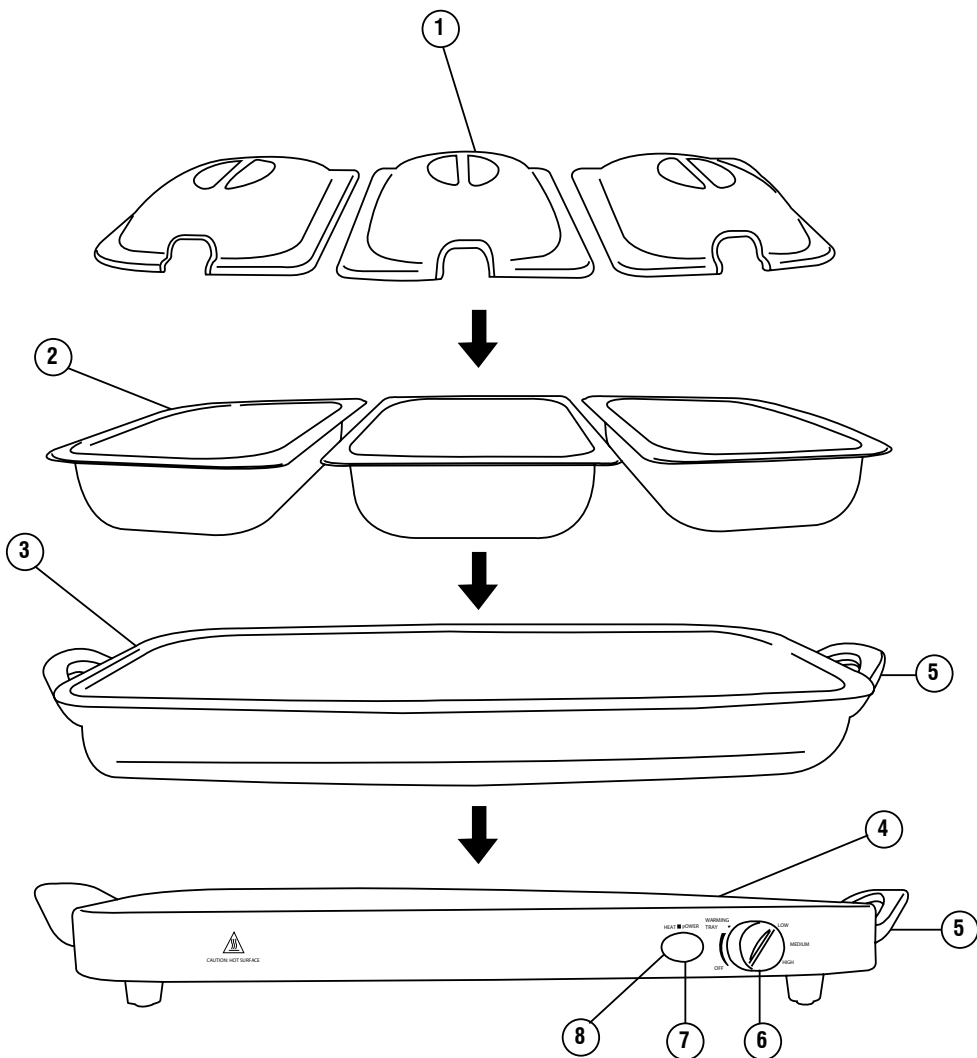
- 5.2. Do not open or change any parts by yourself. Please refer to a qualified electrical service department or return to the supplier if servicing is necessary.
- 5.3. Always remember to unplug the unit from the electrical outlet when not in use and before cleaning.
- 5.4. The temperature setting should be in the "OFF" position and never plugged into the outlet while cleaning.
- 5.5. The unit should be completely cool before cleaning.
- 5.6. Wash the lids with warm soapy water using a sponge or dishcloth. Rinse and dry thoroughly to remove soap residue
- 5.7. The large pan and buffet trays is dishwasher safe.
- 5.8. Wipe the warming tray clean with a damp cloth and dry thoroughly.
- 5.9. Do not use bleach or other abrasive substance or solvents to clean your appliance as it can be damaging to the finish.
- 5.10. To remove stubborn spots/marks, wipe the surfaces with a cloth slightly dampened in soapy water or mild non-abrasive cleaner. Dry with a clean, dry and soft cloth.

## **6. STORING THE APPLIANCE**

- 6.1. Unplug the unit from the wall outlet and clean all the parts as instructed above. Ensure that all parts are dry before storing.
- 6.2. Store the appliance in its box or in a clean, dry place.
- 6.3. Never store the appliance while it is still wet or dirty.
- 6.4. Never wrap the power cord around the appliance.

## **7. SERVICING THE APPLIANCE**

- 7.1. There are no user serviceable parts in this appliance.
- 7.2. Consult the retailer for possible repair or replacement. If the retailer fails to resolve the problem and you need to return the appliance.
- 7.3. If the supply cord is damaged, it must be replaced by the manufacturer or an authorised service agent, in order to avoid any hazard. Servicing outside the warranty period is still available, but will, however, be chargeable.



**Onderdeleys en beskrywings:**

- 1. Buffet bedienerdeksels
- 2. Klein buffetdienerborde
- 3. Groot buffetdienerborde
- 4. Verwarmingsbord

- 5. Handvatsels
- 6. Temperatur beheerknop
- 7. Kragwyserknop
- 8. Verwarming wyserlig

# AFRIKAANS HANDLEIDING

## Geagte kliënt,

Baie dankie vir u keuse om 'n Taurus handelsmerk produk te koop. Danksy die tegnologie, ontwerp en werking en die feit dat dit voldoen aan die strengste gehalte standaarde, is u verseker van 'n volle bevredigende gebruik en lang produklewe.

## BELANGRIKE VOORSORG EN WAARSKUWINGS !

Wanneer enige elektriese toerusting gebruik word, moet basiese veiligheidsmaatreëls altyd gevolg word, insluitende die volgende:

1. Lees die instruksies baie noukeurig voordat enige apparaat gebruik word.
2. Maak altyd seker dat die stroomspanning op die etiket ooreenkom met die netspanning in jou huis.
3. Die verkeerde en onvanpaste gebruik kan die toestel beskadig en beserings vir die gebruiker veroorsaak.
4. Die toestel word slegs vir huishoudelike gebruik bedoel. Komersiële gebruik kan die waarborg benadeel.
5. Let daarop dat hierdie toestel warm word gedurende gebruik!
6. Streng toesig word vereis as die toestel naby kinders of diegene met ouderdomsgebreke gebruik word.
7. Hierdie toestel is nie bedoel vir die gebruik van persone (insluitende kinders) met verlaagde fisiese, sensoriese of verstandelike vermoëns nie, of geen ervaring of kennis daarvan tensy hulle onderrig daarin gegee is onder streng toesig deur 'n persoon verantwoordelik vir hulle veiligheid.
8. Inspekteer die kragkoord en die prop gereeld vir enige skade. Sou die prop of koord beskadig wees, moet dit deur die vervaardiger of 'n gekwalifiseerde persoon vervang word ten einde 'n elektriese gevaar te vermy.
9. Moet nie die toestel gebruik as dit geval het of op enige wyse beskadig is nie. Ingeval daar skade is, neem die toestel vir inspeksie/herstel na 'n gemagtigde diensagent.
10. Verwyder die prop uit die muursok deur die prop stewig vas te hou. Moet nooit die koord gebruik om dit uit te trek nie. Trek altyd die prop uit as die toestel nie in gebruik is nie, vir skoonmaak, of die byvoeging of verwydering van onderdele.
11. Die gebruik van toebehore wat nie deur die vervaardiger verskaf of aanbeveel is nie, mag beserings, brand of elektriese skokke veroorsaak.
12. 'n Kort koord word verskaf sodat die val, of verstrengeling in 'n lang koord vermy kan word.
13. Moenie dat die koord oor 'n tafel of toonbank hang nie. Verseker dat die koord in 'n posisie is waar dit nie per ongeluk getrek kan word nie.
14. Moenie dat die koord warm oppervlakke aanraak nie en moet dit nie naby of op 'n oop vlam of 'n elektriese plaat of in 'n warm oond plaas nie.
15. Die toestel moet nie op of naby 'n gasvlam of kook oppervlak geplaas word nie.
16. Om ernstige brandwonde te vermy moenie warm oppervlakke aanraak te wyl die toestel in gebruik is nie.
17. Laat die toestel heeltemal afkoel na gebruik voordat enige oppervlakke aangeraak word om ernstige brandwonde te vermy.
18. Wanneer die toestel nie in gebruik is nie, draai die temperatuur reguleerder na die "OFF" posisie en trek die prop uit die muursok

19. Om brandwonde te vermy van die inhoud van die buffetborde of groot pan, word aanbeveel dat voedsel en/of vloeistowwe slegs tot 2/3 gevul word van die groot pan of die buffetborde.
20. Moet nooit die verwarmingsbord of die buffetborde bo-op die die toestel dra of beweeg nie. Elke pan of bord moet apart gedra word om brandwonde van warm voedsel of vloeistof te vermy.
21. Om beskadiging van die toestel se buffetbediener te vermy moet dit nie gebruik word sonder voedsel of vloeistof in die groot pan of buffetbedieners nie.
22. Die gebruik van toebehore nie aanbeveel deur die toestel se vervaardiger nie mag brand, elektriese skokke of beserings veroorsaak en moet vermy word.
23. Die gebruik van 'n verlengingskoord met hierdie toestel word nie aanbeveel nie.
24. Hierdie toestel is nie geskik vir gebruik buite nie. Moenie hierdie toestel gebruik vir enigiets anders as waarvoor dit vervaardig is nie.
25. **MOET NOOIT** die toestel aan sy kragkoord dra nie.
26. Moenie hierdie toestel alleen sonder toesig laat as dit in werking is nie. Trek altyd die prop uit as die toestel nie gebruik word nie of as dit skoongemaak word.
27. Gebruik altyd die toestel op 'n stabiele tafel wat gelyk is en stewig staan. Hierdie toestel moet nie op 'n warm oppervlak gebruik word nie.
28. Draai die toestel na die "OFF" posisie, ontkoppel dit van die muursok, en laat die Verwarmingsbord, Groot pan en Buffetbediener heeltemal afkoel voordat hulle skoongemaak word.
29. Om teen elektriese skokke te beskerm en te vermy, moet nie die verwarmingsbord of kragkoord in water of vloeistof dompel nie.
30. Die vervaardiger aanvaar geen verantwoordelikheid vir enige skade of besering vir ongeoorloofde of verkeerde gebruik van die toestel nie of herstelwerk deur 'n ongemagtigde persoon nie.
31. In die geval van tegniese probleme, skakel die toestel af en ontkoppel die buffetbediener en moenie probeer om dit self te herstel nie. Neem die toestel na 'n gemagtigde dienssentrum vir ondersoek, aanpassing of herstel.

Dring altyd daarop aan dat oorspronklike onderdele gebruik word. Versuim om die boonste veiligheidsmaatreëls en instruksies te gehoorsaam, kan die veilige werking van die toestel affekteer.

**NOTA: VOOR DIE EERSTE GEBRUIK, VUL ELKE BAK MET WATER EN SKAKEL DIE BUFFETBEDIENER AAN VIR 30 MINUTE, GOOI DAN DIE WATER UIT EN HERHAAL. MAAK DIE TOESTEL DEEGLIK SKOON VOOR DIT GEBRUIK WORD.**

## WERKINGSINSTRUKSIES

### BEGIN DEUR DIE BUFFETBEDIENER TE GEBRUIK

1. Met die temperatuur beheerder op die "OFF" posisie, prop die kragkoord in die gearde elektriese sok.
2. Die kragwyserlig is blou. Die rooi kragwyserlig sal rooi word terwyl die toestel opwarm tot die gewenste temperatuur of aanpas om 'n eweredige temperatuur te handhaaf. Sodra die rooi lig afskakel het die toestel die gewenste temperatuur bereik.
3. Plaas die vooraf verhitte kos in die groot pan of elke buffetbord soos verkies.
4. Pas die gewenste temperatuur aan op die stelknop.
5. Sodra die buffetbediener klaar gebruik is, draai die temperatuur beheer na die "OFF" posisie.

6. Verwyder die prop uit die muursok.
7. Laat die toestel heeltemal afkoel voordat die groot pan of borde skoongemaak word.
8. Verwyder alle kos wat aan die buffet se houers vas sit.

#### **Belangrike aantekeninge:**

1. Dit is belangrik om alle gaar kossoorte op 'n 600°C temperatuur te hou vir 'n lang tydperk om enige siektes wat deur kos gedra word te verhoed.
2. Dit word aanbeveel dat die temperatuur van die kos kort-kort met 'n kostermometer te toets terwyl dit bedien word.
3. Alle voedsel het verskillende digthede sodat afhange van wat opgedien word, die temperatuur sal moet aangepas word na hoër of laer om die minimum van 600°C te handhaaf.
4. Temperature mag wissel terwyl die kos bedien word en die inhoud van die groot pan en/of buffetbedieners geleidig word.
5. Die temperatuur mag ooreenstemmend gewysig word om oor- en onderverhitting van voorbereide kos te verhoed.

#### **1. OM DIE VERWARMINGSBORD ALLEEN TE GEBRUIK**

- 1.1. Met die temperatuur beheer in die "OFF" posisie, prop die toestel in 'n geaarde sok.
- 1.2. Moenie die groot pan of buffetbedieners gebruik nie.
- 1.3. Maak die verwarmingsbord deeglik skoon voor gebruik. Vervys na die Sorg en die Skoonmaak Instruksies van hierdie handleiding.
- 1.4. Stel die temperatuur beheer in op die "Warming tray".
- 1.5. Plaas die kos op die verwarmingsbord om dit warm te hou. Hierdie bord is nie bestem vir die kook van kos of om dit te ontvries nie.

**NB: Moenie die deursigtige koepeldeksels op die warmer se oppervlak plaas nie.**

- 1.6. Kos moet op die verwarmingsbord gehou word vir 'n korter tydperk as wanneer die groot pan en/of die buffetbedieners bo-op is omdat dit nie bedek is nie. Die tyd wat aanbeveel word is 2-3 uur om die uitdroog van kos te verhoed.
- 1.7. Sodra die verwarmingsbord klaar gebruik is, stel die temperatuur beheerknop op die "OFF" posisie en trek die prop uit die sok.
- 1.8. Laat die toestel heeltemal afkoel voor die skoonmaak en storing daarvan.

#### **2. GEBRUIK VAN DIE VERWARMINGSBORD SAAM MET DIE GROOT PAN EN BUFFETBORD**

- 2.1. Met die temperatuur beheer op die "OFF" posisie, prop die toestel in 'n geaarde sok.
- 2.2. Maak die oppervlak deeglik skoon en droog goed af voor gebruik. Sien Sorg en Skoonmaak Instruksies van hierdie handleiding.
- 2.3. Stel die temperatuur beheerknop op Medium in. NB: Dit is belangrik om te onthou dat die buffetborde binne-in die groot pan gebruik word, die temperatuur beheerknop op Medium is sodat dit die minimum temperatuur van 1400°C kan bereik.
- 2.4. Die buffetbediener kan vir 'n langer tydperk gebruik word om kos warm te hou as die deksels gebruik word. Dit word aanbeveel dat kos nie vir langer as 4 ure warm gehou word nie omdat die kos sal begin uitdroog.
- 2.5. Sodra die verwarmingsbord klaar gebruik is, draai die Beheerknop weer na die "OFF" posisie en trek dit uit die sok.

- 2.6. Laat die toestel heeltemal afkoel voor dit skoongemaak word en gestoor word.

#### **3. Temperatuur stellings**

- 3.1. Alle kossoorte het verskillende digthede en mag 'n laer of hoër temperatuur stelling vereis om die kos warm te hou. Byvoorbeeld, 'n hoër temperatuur stelling sal nodig wees om kapokaartappels warm te hou en laer temperature vir sous word vereis.
- 3.2. Alle warm kossoorte moet 'n temperatuur van 600°C handhaaf om die gevaar van siektes wat deur kos versprei word te verhoed.
- 3.3. Gebruik 'n kostermometer om die temperatuur van kos te monitor en verstel die temperatuur na gelang om die 600°C te handhaaf. Dit word aanbeveel dat die temperatuur van die kos kort-kort gemeet word wanneer kos oor 'n lang tydperk bedien word.
- 3.4. Baie faktore beïnvloed die temperatuur van kos. Hierdie eenheid is ontwerp om 'n minimum temperatuur (sien onder) vir elke stelling te bereik.

#### **Verwarmingsbord: 650°C**

Hierdie stelling word gebruik as kos direk op die verwarmingsbord geplaas word.

**Aantekeninge: Die temperatuur reeks onder word gemeet met die groot pan en/of buffetbedieners bo-op die verwarmingsbord.**

- **Laag:** 700°C Dit is die laagste stelling as die groot pan gebruik word op die verwarmingsbord.
  - **Medium:** 760°C Dit is die minimum stelling as die groot pan en buffetpanne op die verwarmingsbord gebruik word.
  - **Hoog:** 800°C Hierdie stelling sal gebruik word om kos op 'n hoër temperatuur te hou as die groot pan en/of buffetborde gebruik word. **Aantekeninge: As kos direk op die verwarmingsbord alleenlik geplaas word, gebruik die Verwarmingsbord stelling.**
- Aantekeninge: Die Low-Medium-High is stellings vir gebruik van die groot pan of buffetbedieners. Die oppervlakte hitte van die verwarmingsbord sal baie warmer wees as die boonste reeks ten einde hitte van die verwarmingsbord na die groot pan en/of buffetbedieners. Aantekeninge: Uitgebreide gebruik oor 'n lang tydperk teen hoë temperature kan verkleuring van die buffetborde veroorsaak en skroei mag op die verwarmingsbord voorkom.**

#### **4. Nuttige wenke**

- 4.1. As warm of baie warm kosse bedien word, kan die buffetborde in die oond warm gemaak word voor kos daarin gesit word om die temperatuur hoog te hou gedurende bediening.
- 4.2. Water kan ook binne-in die groot pan gebruik word om te verseker dat kos eweredig warm word sonder om té warm kolle te veroorsaak.

#### **5. SKOONMAAK EN ONDERHOUD**

- 5.1. Hierdie toestel is slegs vir huishoudelike gebruik en nie deur die gebruiker gediens word nie.
- 5.2. Moenie die toestel self oopmaak of onderdele probeer vervang nie. Neem dit liewer na 'n gekwalifiseerde persoon of stuur dit terug na die vervaardiger vir diens.
- 5.3. Onthou om altyd die toestel te ontkoppel uit die sok as dit nie in gebruik is nie en voor dit skoongemaak word.



- 5.4. Die temperatuur beheer moet altyd in die “OFF” posisie wees en nie in die sok wees as dit skoongemaak word nie.
- 5.5. Die eenheid moet heeltemal afgekoel wees voordat dit skoongemaak word.
- 5.6. Was die deksels met warm seepwater met 'n spons of vadoek. Spoel af en droog goed af om seepreste te verwyder.
- 5.7. Die groot pan en buffetborde is veilig in die skottelgoedwasser.
- 5.8. Vee die verwarmingbord af met 'n klam doek en droog dit deeglik af.
- 5.9. Moenie bleikmiddels of ander skerp middels gebruik nie omdat dit die afwerking van die toestel kan beskadig.
- 5.10. Om hardnekkige kolle en merke te verwyder, vee die oppervlakte met 'n effens seperige doek af of met 'n sagte skoonmaker. Droog dit goed af met sagte, droë skoon doek.

## **6. DIE STORING VAN DIE TOESTEL**

- 6.1. Trek die eenheid se prop uit die muursok en maak al die dele skoon soos bo aangedui. Maak seker dat al die dele droog is voor dit gestoor word.
- 6.2. Stoor die toestel in sy boks of in 'n skoon, droë plek.
- 6.3. Moet nooit die toestel stoor terwyl dit nog vuil of nat is nie.
- 6.4. Moet ook nie die kragkoord om die toestel draai nie.

## **7. DIENS VAN DIE TOESTEL**

- 7.1. Daar is geen onderdele in hierdie toestel wat deur die gebruiker gediens kan word nie. Raadpleeg die kleinhandelaar vir maonlike herstel of vervanging.
- 7.2. As die kragkoord beskadig is, moet dit deur die vervaariger of gemagtigde diensagent vervang word, ten einde gevare te vermy. Diens buite die waarborg tydperk is nog beskikbaar, maar dit moet egter betaal word.

# taurus

**2 YEAR  
WARRANTY**

**1 YEAR RETAIL  
+1 YEAR EXTENDED**  
taurusappliances.co.za  
Register Online

Thank you for purchasing a Taurus product. Taurus guarantees that your product has been thoroughly inspected and tested before being dispatched and is free from mechanical and electrical defects and complies with the applicable safety standards. With every Taurus product purchased you get a 2 year warranty as detailed in the terms and conditions below.

## **First Year – 1 Year Retail Warranty:**

Should defects due to faulty parts or workmanship develop, under normal domestic use, within 12 months from the original date of purchase please return the product to the store from where it was purchased for a refund or replacement.

## **Second Year – 1 Year Extended Warranty**

Taurus takes pride in their product quality and therefore offer an extended 12 month warranty over and above the 1 Year Retail Warranty. Should defects due to faulty material or workmanship develop, under normal domestic use, after the 12 month period and within 24 months from the original date of purchase, please return the product postage pre-paid to Taurus for repair. Taurus will repair the product free of charge and return it to you directly. Taurus will replace a product with a similar product in the same or better condition, if the repair cannot be conducted for whatever reason.

NB: The 1 Year Extended Warranty is only valid for customers who have registered their warranty online at [www.taurusappliances.co.za](http://www.taurusappliances.co.za) within the first year after making their purchase. See overleaf for details and instructions.

## **Before returning your product, check the following:**

- Your household mains supply socket is in good condition, working and switched on.
- The mains supply circuit is not overloaded (White trip switch on your DB board is off).
- You have read the trouble shooting guide in your Instructions for Use.
- All accessories and parts are present.

## **The following conditions apply:**

1. Please ensure you retain your receipt as this must be presented when making a claim under the terms of the guarantee. It is impossible to determine the guarantee period without proof of purchase, so please keep this in a safe place. (NB. Your guarantee can be scanned onto the Taurus web site for safe storage – see reverse side for details.)
2. If a refund or exchange is required the product must be complete with all accessories, parts and packaging. Missing parts will render the guarantee void.
3. Upon receipt of your appliance, check it for any transport damage to ensure it is safe for use. Return it to the store as soon as possible for exchange if damaged. The guarantee is void if products are damaged after

use, so please do not use the damaged product.

4. Your product is designed for normal domestic household use. Failure to read and comply with the instructions for use, cleaning and maintenance will render your guarantee void, so please read these instructions carefully to ensure your safety, and to get the most effective use from the product. (e.g. not removing lime scale; water deposits; insect infestation, and/or burnt products)
5. Any abuse, negligent, improper or accidental use or care will render the guarantee void and Creative Housewares (Pty) Ltd will not be liable for any loss or damage.
6. Any attempted repair, or replacement of unauthorised parts will render the guarantee void, so please contact an authorised service centre or service agent for any service or repair requirements.
7. NB: The guarantee on replaced products will be from the original date of purchase and not from when the date replacement was made.
8. All repairs carry a 3 month guarantee even if this falls outside of the 2 year guarantee period.
9. Taurus will attempt to conduct repairs within reasonable time in line with industry standards but cannot be held responsible or liable for any circumstances not under our control.

## **Repairs Out of the Warranty Period**

If service or repair becomes necessary outside the warranty period, this service is still available however all transport/postage, spares and labour costs will be for the customers' account. All chargeable repairs will require the customers' written acceptance of the quote. Once the go-ahead has been received Taurus will undertake to conduct the repair within a reasonable time and maintain the condition of the product as received. All repairs are guaranteed for 3 months from the date of the repair.

For any service, enquiries and complaints please contact our Customer Care on 086 111 5006 or e-mail [help@creativehousewares.co.za](mailto:help@creativehousewares.co.za) from 08h00 to 15h00 Monday to Friday excluding public holidays. Please also note that the company is normally closed for 2 weeks around Christmas and New Year.

Please send all products for repair postage pre-paid to one of the service centres listed on the back of this page.

# ONLINE WARRANTY REGISTRATION

## Why register your warranty?

We at Taurus pride ourselves on bringing premium quality appliances to market, and as a commitment to this level of quality we offer a 2 year warranty (1 Year Retail + 1 Year Extended) on all of our products. We often hear that our customers lose their receipts and can therefore no longer claim if they have a problem. To take advantage of the 1 Year Extended Warranty you will need to register your warranty online within the first year of purchase in order to make a valid claim. Now you can register your product, upload your warranty online, never have to worry about losing your receipt again and enjoy the benefit of your 2 year warranty.

## Added Benefits

In addition to providing you with an online profile of your registered products we will also provide a host of value added benefits:

- Incentives and Competitions for registered users
- New recipes or ideas for your products
- New product developments – be the first to get the latest appliances
- Special offers on promotional items

## How to Register your Online Warranty?

### STEP1 Create your user profile:

If you haven't done so already, simply visit [www.taurusappliances.co.za](http://www.taurusappliances.co.za), click on the "Product Registration" link and follow the easy instructions. You will receive a username and password once registered. This will give you access to your user profile.



[taurusappliances.co.za](http://taurusappliances.co.za)

### STEP2 Pick a registration method:



#### DESKTOP/ LAPTOP

- Open your internet browser and visit [www.taurusappliances.co.za](http://www.taurusappliances.co.za)
- Click on the "Registration" link and login using your user name and password.
- Click on "Register your products and upload receipts" and follow the easy instructions.
- Scan and upload your receipt



#### SMART PHONE/ TABLET

- Scan the QR code above or visit [www.taurusappliances.co.za](http://www.taurusappliances.co.za)
- Click on the "Registration" link and login using your user name and password.
- Click on "Register your products and upload receipts" and follow the easy instructions.
- Scan or take a photo and upload your receipt.



#### FAX

- Fax the following to 021 931 4058
- First Name and Surname
- Contact telephone and fax number.
- Product Model number and Type.
- Traceability Code (found on the Warranty Card or on a label on the product)
- A clear and legible copy of your receipt.

## Notes:

1. The online warranty system is a safe storage facility for your receipt.
2. You will be required to register on the Taurus website. You will receive a username and password once registered. This will give you access to your profile.
3. From your profile you will be able to load products that you have purchased. In order to successfully register your warranty you will need to either scan and upload, or fax through your receipt to us.
4. All instructions on how to load your products are available

inside your profile.

5. Please note that you must check that your receipt has been uploaded correctly. Creative Housewares cannot be held responsible for faxes or files not received.

6. For assistance with registration please email: [marketing@creativehousewares.co.za](mailto:marketing@creativehousewares.co.za).

**NB:** Your 1 year extended warranty is only valid if your product is registered online within the first year after purchasing your Taurus product. Failure to register your product on-line within the first year will render the extended warranty as void.

creative housewares

National Service Centre: 086 111 5006  
e-mail: [help@creativehousewares.co.za](mailto:help@creativehousewares.co.za)  
[www.creativehousewares.co.za](http://www.creativehousewares.co.za)

#### Cape Town

20 Tekstiel Street, Parow, Cape Town, 7493,  
South Africa • P.O. Box 6156 Parow East, 7501,  
South Africa Tel: +27 21 931 8117  
Fax: +27 21 931 4058

#### Durban

35 Adrain Road, Windermere,  
Durban, South Africa, 4001  
Tel: +27 31 303 3465  
Fax: +27 31 303 8259

#### Johannesburg

Unit 25 & 26 San Croy Office Park  
Die Agora Road, Croydon, 1619  
Tel: +27 11 392 5652  
Fax: +27 11 392 1694

# taurus

**2 JAAR  
WAARBORG**  
1 JAAR KLEINHANDELS  
+ 1 JAAR UITGEBREID

taurusappliances.co.za  
Registreer Aantlyn

Dankie vir die aankoop van 'n Taurus produk. Taurus waarborg dat u produk deeglik geïnspekteer en getoets word voordat dit versend word en is vry van meganiese en elektriese gebreke en voldoen aan die toepasslike veiligheidsstandaarde. Met elke Taurus produk wat gekoop word kry u 'n 2 jaar waarborg soos uiteengesit in die terme en voorwaardes hieronder.

## **Eerste Jaar - 1 Jaar Kleinhandelswaarborg:**

Indien defekte as gevolg van foutiewe onderdele of vakmanskap binne 12 maande onder normale huishoudelike gebruik ontwikkel, binne die 12 maande vanaf die oorspronklike datum van aankoop, neem asseblief die produk na die winkel van waar dit gekoop is vir 'n terugbetaling of vervanging.

## **Tweede Jaar - 1 Jaar Uitgebreide Waarborg**

Taurus is trots op die kwaliteit van die produk en bied dus 'n uitgebreide 12 maande waarborg bo en behalwe die 1 Jaar kleinhandelswaarborg. Indien defekte as gevolg van foutiewe materiaal of vakmanskap ontwikkel, onder normale huishoudelike gebruik, na die 12 maande tydperk en binne 24 maande vanaf die oorspronklike datum van aankoop, stuur die produk terug met posgeld betaal na Taurus vir herstel. Taurus sal die produk gratis herstel en dit direk aan u terugstuur. Taurus sal die produk vervang met 'n soortgelyke produk in dieselfde of beter toestand, as die herstel nie uitgevoer kan word vir watter rede ookal nie.

NB: Die 1 Jaar Uitgebreide waarborg is slegs geldig vir kliënte wat hul waarborg geregistreer het op ons webtuiste by [www.taurusappliances.co.za](http://www.taurusappliances.co.za) binne die eerste jaar nadat hulle dit aangekoop het. Sien keersy vir besonderhede en instruksies.

## **Voordat u die produk terug stuur, maak seker van die volgende:**

- U huishoudelike geleidingsok is in 'n goeie toestand, werk en aangeskakel is,
- Die geleidingsok is nie oorlaai nie (Wit uitskop skakelaar op u DB bord af is),
- U het die moeilikheid steuringsgids gelees in u instruksies vir gebruik,
- Alle bykomstighede en dele teenwoordig is.

## **Die volgende voorwaardes geld:**

1. Maak seker dat u kwitansie behoue is, dit moet aangebied word wanneer 'n eis gemaak word onder die voorwaardes van die waarborg. Dit is onmoontlik om die waarborg tydperk te bepaal sonder die bewys van aankoop, so hou dit asseblief in 'n veilige plek. (NB. U waarborg kan opgeskander word na die Taurus webtuiste vir veilige bewaring - sien keersy vir meer inligting.)
2. Indien 'n terugbetaling of omruiling van die produk nodig is moet die produk volledig wees met al die bykomstighede, onderdele en verpakking. Toebehore wat weg is sal die waarborg nietig maak.
3. Met ontvangs van u toestel, gaan dit na vir enige vervoer skade om te verseker dat dit veilig is vir gebruik. Stuur dit so gou as moontlik terug na die winkel om die beska-

digde toestel te vervang. Die waarborg is nietig indien die beskadigde produk gebruik word na die tyd, so moet asseblief nie die beskadigde produk gebruik nie.

4. U produk is ontwerp vir normale huishoudelike gebruik. Deur te versuim om die instruksies te lees en te voldoen aan die terme van gebruik, die skoonmaak en instandhouding van die produk maak u waarborg ongeldig, so lees asseblief hierdie instruksies versigtig om u veiligheid te verseker, en om die beste uit die gebruik van die produk te kry. (bv nie die verwydering van kalk skaal; water neerslag; insek besmetting, en / of verbrande produkte)
5. Enige misbruik, nalatige, onbehoorlike of toevallige beskadiging of sorg van die produk word die waarborg nietig en Creative Housewares (Pty) Ltd, sal nie aanspreeklik wees vir enige verlies of skade nie.
6. Enige poging tot herstel, of vervanging met ongemagtigde onderdele sal die waarborg nietig maak, so kontak 'n gemagtigde dienssentrum of diensagent vir enige diens of herstelwerk.
7. NB: Die waarborg op die vervangingsprodukt sal by die oorspronklike datum van aankoop bly en nie van die datum wanneer dit vervang is nie.
8. Alle herstelwerk dra 'n 3 maande waarborg selfs al val dit buite die 2-jaar waarborg tydperk.
9. Taurus sal probeer om die herstelwerk te doen binne 'n redelike tyd in lyn met die industrie standaarde, maar kan nie verantwoordelik gehou word of aanspreeklik wees vir enige omstandighede nie onder ons beheer nie.

## **Herstelwerk buite die waarborg tydperk**

As diens of herstelwerk benodig word buite die waarborg tydperk, is hierdie diens steeds beskikbaar, maar is alle vervoer / posgeld, onderdele en arbeidskoste op die kliënte se onkoste. Alle betaalbare herstelwerk sal skriftelike aanvaarding van die kwotasie vereis van die kliënt. So dra Taurus die groen lig ontvang sal ons onderneem om die herstel binne 'n redelike tyd en in dieselfde toestand te hou as wat die produk ontvang is. Alle herstelwerk is gewaarborg vir 3 maande vanaf die datum van die herstel.

Vir enige diens, navrae en klagtes kontak ons kliënte diens op 086 111 5006 of e-pos [help@creativehousewares.co.za](mailto:help@creativehousewares.co.za) vanaf 08h00 tot 15h00, Maandag tot Vrydag, openbare vakansiedae uitgesluit. Let asseblief ook daarop dat die maatskappy gewoonlik gesluit is vir 2 weke gedurende Kersfees en Nuwejaar.

Stuur asseblief alle produkte vir herstel met posgeld vooruit betaal aan een van die dienssentrums wat op die agterkant van hierdie bladsy verskyn.

# AANLYN WAARBORG REGISTRASIE

## Hoekom moet u die waarborg moet registreer?

Ons by Taurus is trots om premium gehalte toestelle op die mark te bring, en as 'n verbintenis tot die vlak van gehalte bied ons 'n 2 jaar waarborg (1 Jaar Kleinhandel + 1 Jaar Uitgebreide) op al ons produkte. Ons hoor dikwels dat ons kliënte hul kwitansies verloor en kan dus nie meer eis as hulle 'n probleem het nie. Om voordeel te trek van die 1 Jaar Uitgebreide waarborg sal u nodig hê om u waarborg aanlyn te registreer binne die eerste jaar van aankoop om 'n geldige eis te maak. Nou kan u die produk aanlyn registreer, laai u waarborg en hoef u nooit te bekommer dat u die kwitansie sal verloor nie en die voordeel van u 2-jaar waarborg geniet.

## Bygevoegde Voordele

Bykomend tot die verskaffing van 'n aanlyn profiel van u geregistreerde produkte bied ons ook vele ander toegevoegde waarde voordele:

- aansporings en kompetisies vir geregistreerde gebruikers
- nuwe resepte of idees vir u produkte
- nuwe produk ontwikkelings - die eerste wees om die nuutste toestelle te kry
- spesiale aanbiedings op promosie-items

## Hoe om u Aanlyn Waarborg te Registreer?

### STAP 1 Skep u gebruikersprofiel:

As u dit nie reeds gedoen het nie, besoek [www.taurusappliances.co.za](http://www.taurusappliances.co.za), klik op die "Product Registration" skakel en volg die maklike instruksies. U sal 'n gebruikersnaam en wagwoord ontvang sodra u geregistreer het. Dit sal u toegang tot u profiel gee.

### STAP 2 Kies 'n registrasie metode:



#### REKENAAR/ SKOOTREK- ENAAR

- Maak u internet snuffelgids oop en besoek [www.taurusappliances.co.za](http://www.taurusappliances.co.za)
- Klik op die "Registrasie" skakel en teken in met u gebruikersnaam en wagwoord.
- Klik op "Register your products" en laai kwitansies en volg die maklike instruksies.
- Skandeer en laai u strokie



#### SMART- FOON / TABLET

- Skandeer die QR-kode bo of besoek [www.taurusappliances.co.za](http://www.taurusappliances.co.za)
- Klik op die "Registration" skakel en teken aan met u verbruikersnaam en wagwoord.
- Klik op "Register your products" en laai u kwitansie en volg die maklike instruksies.
- Skandeer of neem 'n foto en laai u strokie.



#### FAKS

- Faks die volgende na 021 931 4058
- Naam en Van
- Kontak telefoon en faksnommer.
- Produk model nommer en tipe.
- Traceability Code (wat op die
- Waarborgkaart of op 'n etiket op die produk gevind kan word)
- 'n Duidelike en leesbare afskrif van u ontvangs.



[taurusappliances.co.za](http://taurusappliances.co.za)

## Notas:

1. Die aanlyn waarborg stelsel is 'n veilige stoor fasiliteit vir u strokies.
2. U sal gevra word om op die Taurus webtuiste te registreer. U sal 'n gebruikersnaam en wagwoord ontvang. Dit sal u toegang gee tot u profiel.
3. Van u profiel u sal in staat wees om produkte te laai wat u gekoop het. Om u waarborg suksesvol te registreer sal u nodig hê om of te skandeer en oplaai, of faks u strokie deur na ons.
4. Alle instruksies oor hoe om u produkte te laai is beskikbaar binne in u profiel.
5. Let daarop dat u moet seker maak dat u kwitansie korrek op-

gelaai is. Creative Housewares kan nie verantwoordelik gehou word vir faksse of lêers nie ontvang nie.  
6. Vir hulp met registrasie e-pos asseblief: [marketing@creative-housewares.co.za](mailto:marketing@creative-housewares.co.za).

**NB:** U 1 jaar verlengde waarborg is slegs geldig indien u produk aanlyn geregistreer is binne die eerste jaar na die aankoop van u Taurus produk. Indien u produk nie aanlyn geregistreer word binne die eerste jaar nie sal dit die verlengde waarborg nietig maak.

creative housewares

Nasionale Dienssentrum: 086 111 5006  
e-pos: [help@creativehousewares.co.za](mailto:help@creativehousewares.co.za)  
[www.creativehousewares.co.za](http://www.creativehousewares.co.za)

### Kaapstad

20 Tekstielstraat, Parow, Kaapstad, 7493, Suid Afrika • PO. Box 6156 Parow Oos, 7501, Suid Afrika Tel: +27 21 931 8117  
Faks: +27 21 931 4058


### Durban


35 Adrainweg, Windermere, Durban, Suid Afrika, 4001  
Tel: +27 31 303 3465  
Faks: +27 31 303 8259



### Johannesburg

Unit 25 & 26 San Croy Office Park  
Die Agora Road, Croydon, 1619  
Tel: +27 11 392 5652  
Fax: +27 11 392 1694


creative housewares

 20 Tekstiel St, Parow, Cape Town, 7493, RSA

 P.O. Box 6156 Parow East, 7501, RSA

 +27 21 931 8117       +27 21 931 4058

Service Centre Helpline: 086 111 5006

 [www.creativehousewares.co.za](http://www.creativehousewares.co.za)